



**PRODUCT
CATALOG**

SKYLIGHTS & ACCESSORIES

2021/2022

- 3 FAKRO Facts
- 4 The Range of FAKRO products
- 6 Product Features: Things you should know about FAKRO products
- 8 How to choose the best skylight or roof window for your project
- 10 FVS & FVE Deck Mounted Solar or Electric Venting Skylight
- 12 FV Deck Mounted Manual Venting Skylight
- 14 FX Deck Mounted Fixed Skylight
- 16 Flashings for Deck Mounted Skylight
- 18 FGH-V Galleria, Deck Mounted Balcony Window
- 19 FPP-V preSelect MAX, Deck Mounted Top Hung and Pivot Roof Window
- 20 FTP-V Deck Mounted Pivot Window
- 21 FTT U6 & FTT U8 Deck Mounted Thermo Pivot Window
- 22 FWU Egress Deck Mounted Roof Access Window
- 23 DRF Flat Roof Access Skylight
- 24 DEF, DMF, DXF Deck Mounted Skylights for Flat Roofs
- 25 DXW Walkable Skylight
- 26 SRF/ARF Blackout Blinds
- 27 SRP/ARP Light Filtering Blinds
- 28 Smart Home Radio Control System
- 29 Control Accessories
- 30 Quality System and Code Compliance

FAKRO Facts:

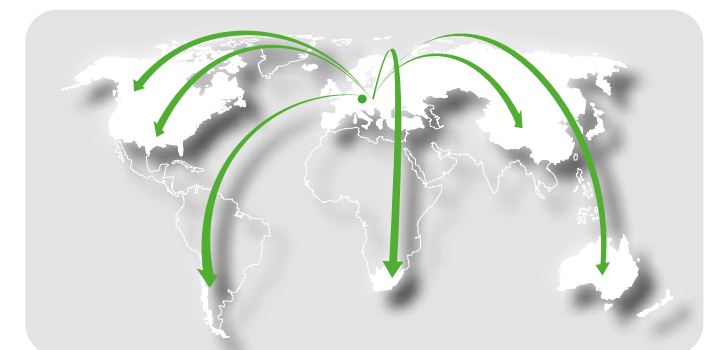
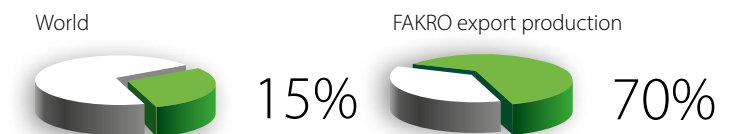
FAKRO started in 1991 in Nowy Sacz, Poland where the idea to manufacture skylights and roof windows was adopted by the company's founder.

- In 1994, the first FAKRO skylights are delivered to European customers
- In 2000, FAKRO was introduced to the North American market
- The FAKRO Group consists of 12 manufacturing plants
- The FAKRO Group includes 17 distribution centres around the globe
- FAKRO products are available in over 50 countries worldwide
- The FAKRO Group employs over 4,000 people
- The production area is over 2,150,000 sq.ft.
- To date FAKRO has sold over 8,000,000 skylights
- Currently export sales account for 70% of total FAKRO production and sales
- FAKRO is the world's second largest producer of roof windows and skylights, with approximately 15% of the global market
- FAKRO holds over 100 patents for leading skylight design and innovation
- FAKRO holds over 20 international certificates for quality and designs

➤ FAKRO's 30 year history and pursuit of excellence have earned them a reputation for outstanding quality, workmanship, product durability, and respected corporate values.

During this period FAKRO has focused on becoming the industry's most innovative company.

FAKRO is relentlessly driven to produce state-of-the-art products of the highest quality.



Skylights, Roof Windows, Egress Roof Windows and Balcony Windows

THE RANGE OF FAKRO PRODUCTS



Top Hung Window
FPP-V preSelect MAX

Pivot Windows
FTP-V
FTT U6
FTT U8 Thermo

Egress Roof Window
FWU-L/R

Deck Mounted Skylights
FVS-Solar Venting
FVE-Electric Venting
FV-Manual Venting
FX-Fixed

Flat Roof Skylights
DXF-Fixed
DMF-Manual Venting
DEF-Electric Venting
DXW-Flat Walkable
DRF-Flat Roof Access

Balcony Window
FGH-V

European Quality
Made for the Canadian Climate



Natural Wood

EUROPEAN DESIGN AND EXPERIENCE

For over 30 years the FAKRO Group has produced European, beautifully designed, technically superior skylights. As the second largest skylight manufacturer in the world they supply 15% of the global market, having sold over 8 million skylights in more than 50 countries, produced in their European manufacturing plants. FAKRO excels in leading Smart Home technology and premium factory lacquered thick wood pressure treated frames, designed to withstand the harshest weather.

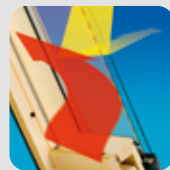
Discover the natural beauty of FAKRO's exclusive line of quality skylights.

PRODUCT FEATURES

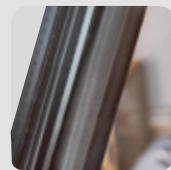
THINGS YOU SHOULD KNOW ABOUT FAKRO PRODUCTS

FAKRO skylights and roof windows are designed to provide a focal point for any room, whether you use them individually or in combinations. Their stylish appearance is matched by the highest standard of manufacturing and finishing, which means you can be assured that they will go on looking good for years to come. Our skylights offer a perfect combination of style, sustainability, security and durability. To achieve such high performance involves ongoing refinement and improvement to every skylight and roof window that we design.

THERMAL INSULATION Lower Utility Bills



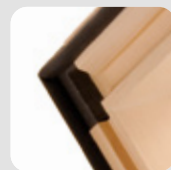
One of the most important objectives during the design process of skylights is energy-saving. Use of ENERGY STAR® compliant glass keeps the heat outside during the summer and inside during the winter. It provides energy savings with air conditioning in the summer, and reduces heat loss in the winter.



Many skylights use metallic spacers and they can result in condensation by creating a cold 'bridge', decreasing energy savings. By contrast, FAKRO uses warm rubber insulated spacers in order to ensure that this common problem does not affect our products.



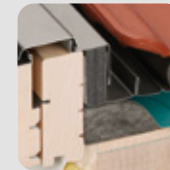
A thick, wooden skylight frame is the best insulator between the inside of the building and the outside. Installation screws hidden inside the frame do not increase the potential of thermal bridges that may be caused by metal flanges attached around the frame.



Another feature increasing the insulation properties of FAKRO skylights is the additional perimeter gasket underneath the frame which insulates between the skylight's frame and roof decking.



The additional double gasket system seals the gap between the sash and the frame of the skylight. As a result, the gap is well protected against any air flow seepage.



Optional high performance thermal flashing increases the R-value of the skylight by up to 10%.

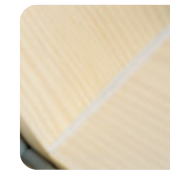
DURABILITY Trouble-Free Performance



Thick wooden frame made of select narrow grain pine, seasoned and vacuum pressure treated.



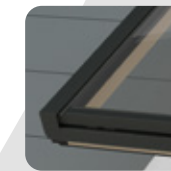
All wooden elements are factory lacquered before final assembly.



Frame corners are additionally sealed against any moisture penetration.



Heat and UV reducing glazing unit with an internal gasket system that collects and drains any condensation to the outside.

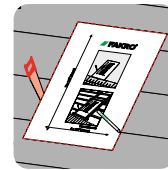


External cladding covered with durable UV resistant paint.



20 year warranty against sealed unit failure.

EASY INSTALLATION Time and Cost Saving



A template is supplied that is specific to the skylight model, for fast and easy marking of the rough opening.



4 to 6 screws drilled through the frame to secure the skylight to the roof deck. Perfect for new builds and retrofits.



Metal pins hold the skylight in place during installation. The elimination of skylight sliding allows for one person installation.

PACKAGING



Strong, durable cardboard box complete with wooden strips at the top and the bottom to protect skylight.

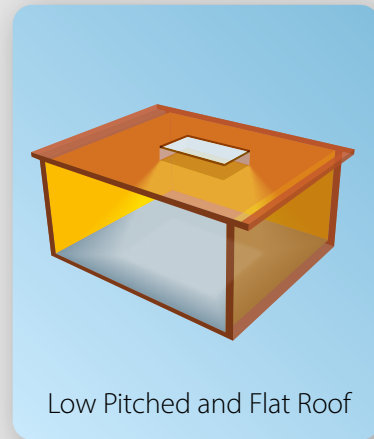
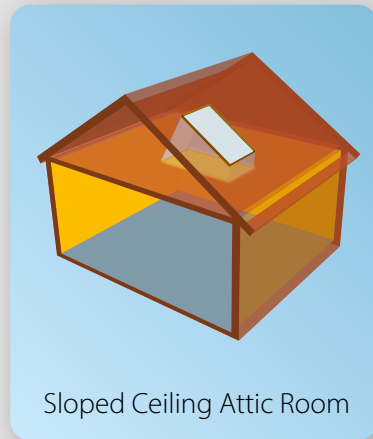
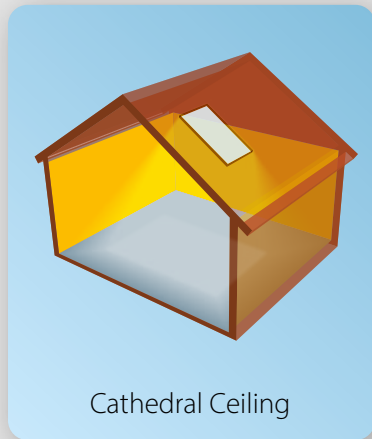
SAFETY Product compliance with building codes and regulations



Tested and compliant with CSA requirements.

HOW TO CHOOSE THE BEST SKYLIGHTS OR ROOF WINDOWS FOR YOUR PROJECT

STEP 1: IDENTIFY YOUR ROOF TYPE WHERE THE SKYLIGHT OR ROOF WINDOW WILL BE INSTALLED

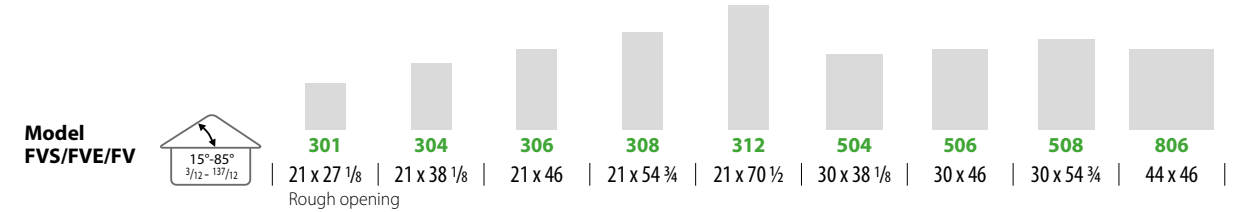


STEP 2: SELECT THE RIGHT VERSION OF SKYLIGHT OR ROOF WINDOW

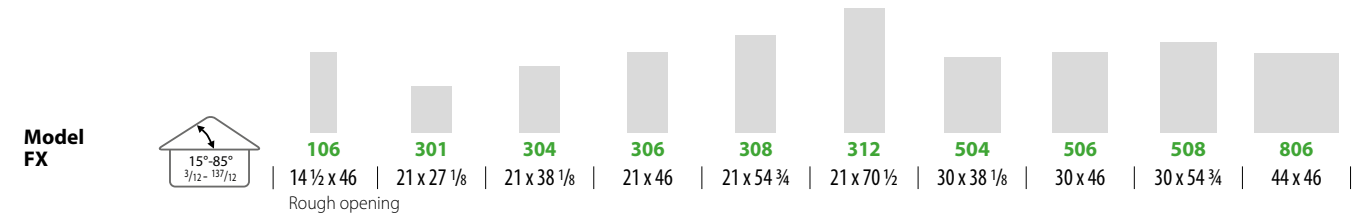
Cathedral Ceiling & Sloped Ceiling			Sloped Ceiling Attic Room					Low Pitched & Flat Roof				
DECK MOUNTED			DECK MOUNTED					DECK MOUNTED				
Electric or Solar	Manual	Fixed	Roof Access	Balcony Window	Top-Hung and Pivot Window	Pivot Window	Thermo Pivot Window	Electric	Manual	Fixed	Roof Access	Fixed
FVE, FVS – deck mounted solar or electric venting skylights are recommended for out of reach applications, where skylight operation with a control rod would not be possible.	FV – deck mounted manual venting skylights are an excellent choice for out of reach installations, and still provides easy access to operate with a control rod or crank handle.	FX – fixed skylights are a cost effective solution to provide natural light. Easy, “bracket free” installation system. No site curb required. Special perimeter gasket for increased insulation.	FWU – roof access windows light up a room, and also provide easy access to the roof for repairs, emergencies, and egress. Available in right or left opening.	FGH-V balcony windows, open to create a beautiful balcony in the loft, expanding your living area, providing views and ventilation. Provides 0° to 45° opening range.	FPP-V top-hung and pivot windows open in two distinct ways: outward from the top and via a center pivot. Automatic air-inlet V40P, providing the ideal amount of air flow into the room.	FTP-V center pivot windows with a 180-degree rotating sash. Automatic air-inlet V40P, provides the ideal amount of air flow into the room.	FTT U6 & TTT U8 Thermo provide exceptional energy savings. Designed for the latest passive building construction. The wider solid wood frame and minimized thermal bridges improve thermal insulation.	DEF – electric venting, superior insulated roof windows for a flat and low pitched roof, filling the room below with light. Green roof suitable with the addition of extra XRD base.	DMF – manual venting, superior insulated roof windows for a flat and low pitched roof, filling the room below with light. Green roof suitable with the addition of extra XRD base.	DXF – fixed, superior insulated roof windows for a flat and low pitched roof, filling the room below with light. Green roof suitable with the addition of extra XRD base.	DRF – insulated, glazed flat roof access skylights, providing all the benefits of natural light. Most sizes open to 80° with gas springs keeping the door in a stable position.	DXW – fixed, incredibly strong, insulated, walkable skylight for flat roofs, allowing the room below to be filled with light. Special non-slip coating to ensure complete safety.

STEP 3: CHOOSE A SIZE OF SKYLIGHT OR ROOF WINDOW

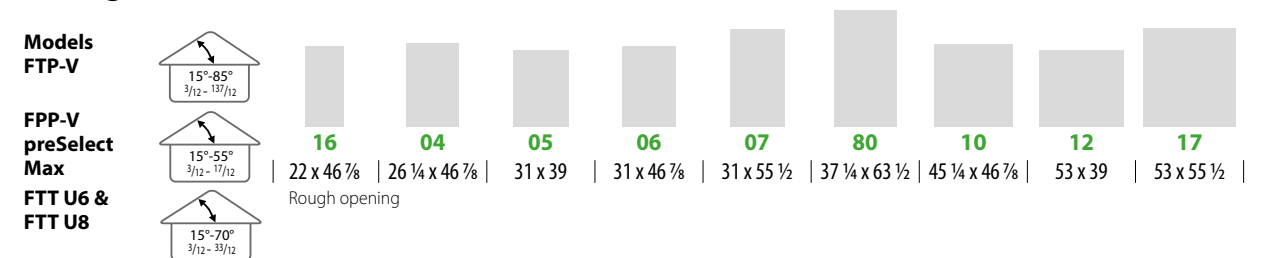
Venting Deck Mount Sizes



Fixed Deck Mount Sizes



Venting Deck Mount Pivot Sizes



STEP 4: CHECK YOUR ROOF FINISH MATERIAL AND SELECT THE APPROPRIATE FLASHING NECESSARY TO COMPLETE SKYLIGHT OR ROOF WINDOW INSTALLATION

FVS Solar Powered

FVE Electric



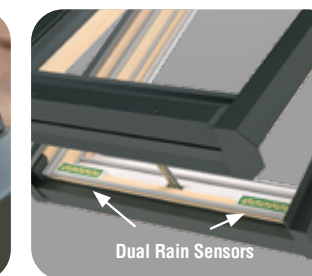
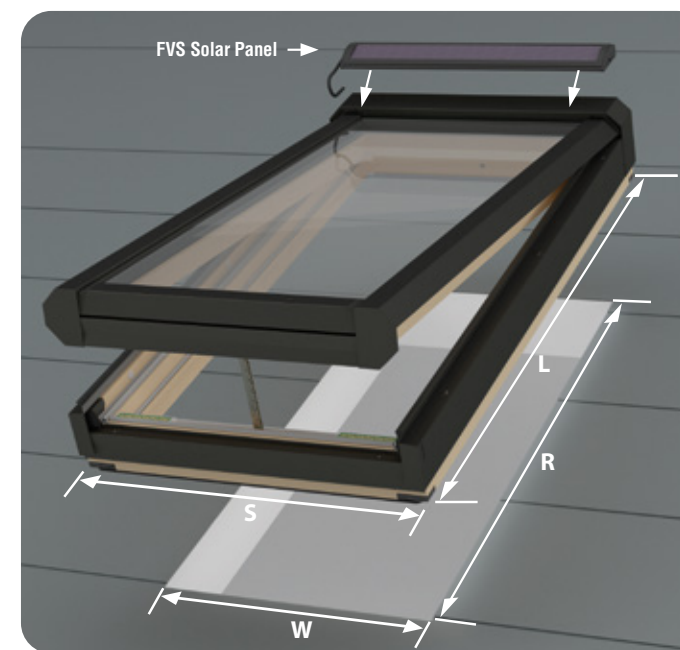
Your Smart Home Solution

DECK MOUNTED SOLAR OR ELECTRIC VENTING SKYLIGHT

Solar powered deck mounted skylights are ideal solutions for out of reach applications, where besides the natural light, you can enjoy fresh air. FVS and FVE skylights are equipped with the industry standard Z-Wave radio control system, allowing for easy remote operation and Smart Home integration (for more information see page 28). FVS skylights are powered by the integrated solar panel, which efficiently recharges a fully concealed battery, powering the operating and control system to open and close the skylight. Since it's not connected to a power source, the solar venting skylight will not add to your energy bill.

Features:

- Suitable for roof pitches between 15-85° degrees.
- Low-emission and heat-reflecting double glazed glass.
- Warm spacer increases condensation resistance.
- Perimeter gasket underneath the frame.
- Double seals between the frame and the sash.
- Internal gasket system to collect and drain any condensation to the outside.
- Insect screen included.
- Blackout (SRF-MV) or light filtering (SRP-MV) blinds available.
- Integrated rain sensors close the skylight automatically.
- Integrated solar panel mounted on the top of the frame for maximum solar collection.
- The included Remote Control allows for easy operation. You can also purchase a Wall Keypad.
- The skylight is Z-Wave compatible, allowing for Smart Home system integration (see page 28).
- Solid natural wood construction, providing superior thermal performance and aesthetic beauty.



Venting deck mount skylights are powered by an integrated solar panel. Positioned at the top of the skylight for optimal solar collection, improved appearance, and safe and secure operation. Positioned above snow and ice build up.

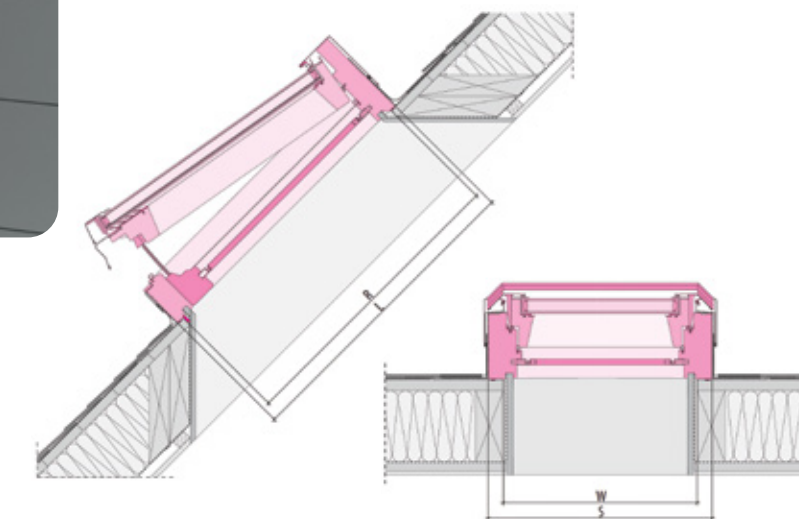
FVS and FVE include two integrated rain sensors that automatically close the skylight at the first sign of rain.



ZRH12 Remote Control (included)



ZRW7 Wall Keypad (optional)



FVS / FVE Specifications

Glazing Unit	G31 Tempered-Laminated
SHGC	0.19
U-Factor [BTU/h ft ² F] (Thermo Flashing)	0.38*
U-Factor [BTU/h ft ² F] (Regular Flashing)	0.41
VT Visible Transmittance	0.36
CR Condensation Resistance	65
Air Infiltration [cfm/ft ²]	0.04
Water Penetration [Pa]	730
Uniform Load Deflection	45 psf
Uniform Load Structural	+90 psf / -67.5 psf

* 0.38 U-factor qualifies for ENERGY STAR® with ELA-T or EH/A-AT Thermo Flashing

G31 Glazing Benefits

- Glazing Unit G31 - Tempered-Laminated
- Single chamber "Solar Factor" glazing unit 4HT-Tg14Ar - 33.2
- Sunscreen external pane tempered, 0.16" thick
- Internal pane laminated 33.2 PVB (0.25") - P2A class as per EN 356, 1(B)1 as per EN 12600
- Warm TGI spacer
- R-Value 5.2 (glass)
- Glazing cavity filled with inert Argon gas

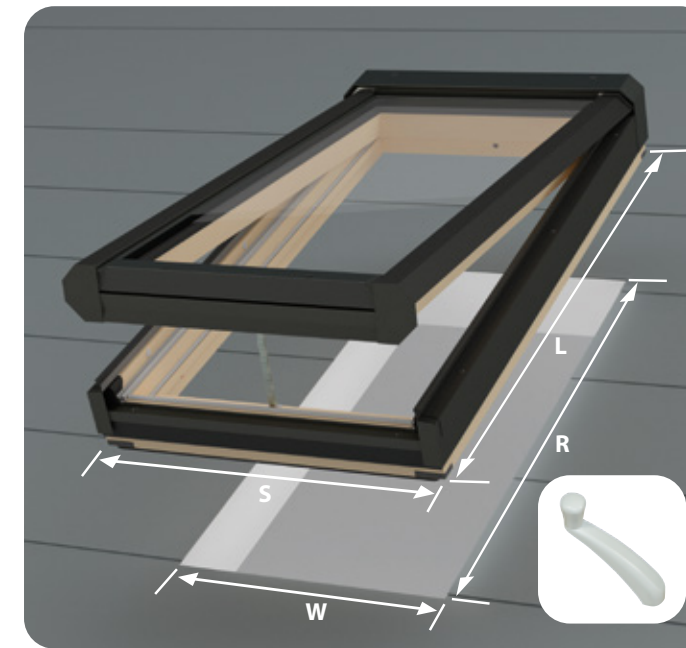
FAKRO FVS & FVE SKYLIGHT DIMENSIONS

Model Code - VSS, VSE		301 C01	304 C04	306 C06	308 C08	312 C12	504 M04	506 M06	508 M08	806 S06
Rough opening (WxR)	in.	21 x 27%	21 x 38%	21 x 46	21 x 54%	21 x 70½	30 x 38%	30 x 46	30 x 54%	44 x 46
Outside frame (SxL)	in.	23½ x 28	23½ x 39	23½ x 46%	23½ x 55½	23½ x 71%	32½ x 39	32½ x 46%	32½ x 55½	46¼ x 46%
Daylight area (glass)	sq. ft. m ²	2.57 0.22	3.64 0.34	4.54 0.42	5.54 0.51	7.37 0.68	5.62 0.52	7.03 0.65	8.57 0.80	10.91 1.03

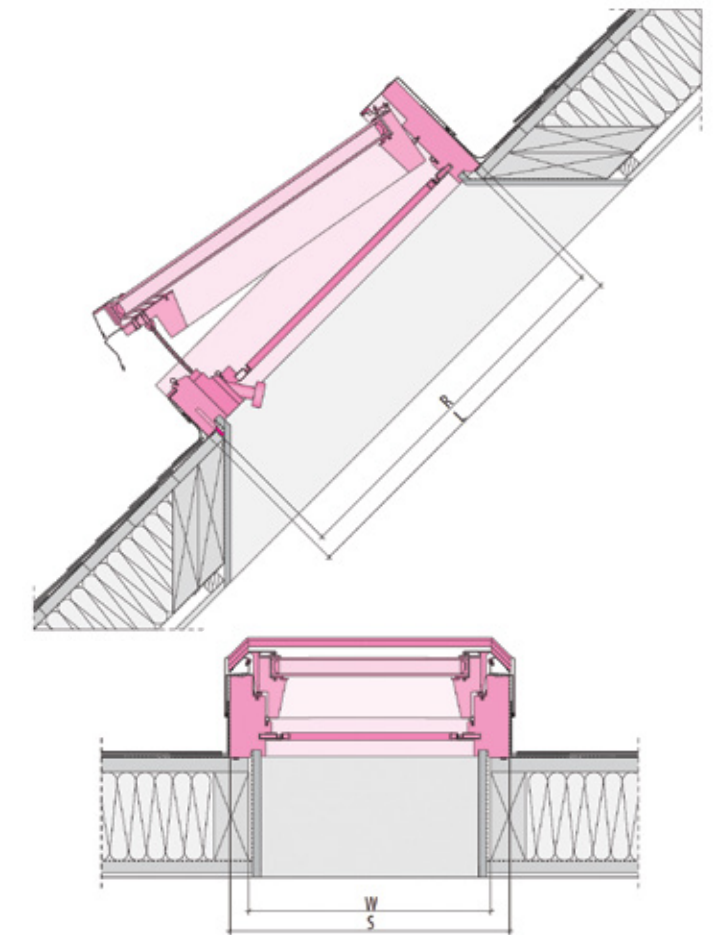
See recommended flashings on page 16-17.



A Breath of Fresh Air



SZK Reachable crank handle included.



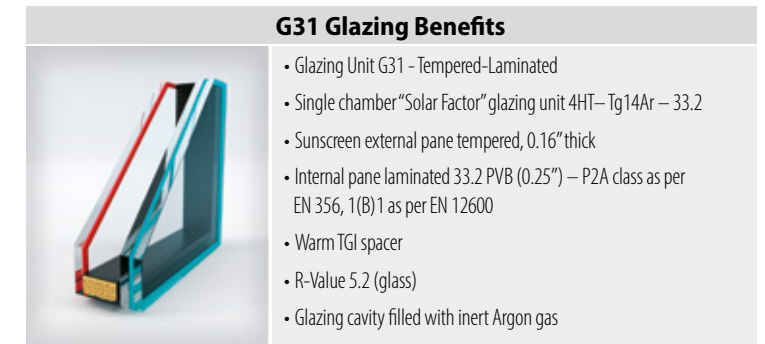
FV Specifications

Glazing Unit	G31 Tempered-Laminated
SHGC	0.19
U-Factor [BTU/h ft²F] (Thermo Flashing)	0.38*
U-Factor [BTU/h ft²F] (Regular Flashing)	0.41
VT Visible Transmittance	0.36
CR Condensation Resistance	65
Air Infiltration [cfm/ft²]	0.04
Water Penetration [Pa]	730
Uniform Load Deflection	45 psf
Uniform Load Structural	+90 psf/-67.5 psf

* 0.38 U-factor qualifies for ENERGY STAR® with ELA-T or EH/A-AT Flashings

G31 Glazing Benefits

- Glazing Unit G31 - Tempered-Laminated
- Single chamber "Solar Factor" glazing unit 4HT-Tg14Ar - 33.2
- Sunscreen external pane tempered, 0.16" thick
- Internal pane laminated 33.2 PVB (0.25") - P2A class as per EN 356, 1(B)1 as per EN 12600
- Warm TGI spacer
- R-Value 5.2 (glass)
- Glazing cavity filled with inert Argon gas



DECK MOUNTED MANUAL VENTING SKYLIGHT

Beautifully transform any upper level room, the FV deck mounted manual venting skylights provide the warmth of natural light and the health benefit of fresh air circulation. The FV is recommended for installation where the skylights will be fairly easy to reach and operate with a window crank handle or control rod. The FV has been the benchmark of venting skylights for years, manufactured to the highest standard in Europe and providing the elegance of factory lacquered solid wood construction.

Features:

- Suitable for roof pitches between 15-85 degrees.
- Low-emission and heat-reflecting double glazed glass.
- Warm spacer increases condensation resistance.
- Internal gasket system to collect and drain any possible condensation to the outside.
- Perimeter gasket underneath the frame.
- Double seals between the frame and the sash.
- Operated with a crank handle or a control rod.
- Insect screen included.
- Solid natural wood construction, providing superior thermal performance and aesthetic beauty.
- Blackout (SRF-MV) or light filtering (SRP-MV) blinds available.



FAKRO FV SKYLIGHT DIMENSIONS

Model	301	304	306	308	312	504	506	508	806
Size Code - VS	C01	C04	C06	C08	C12	M04	M06	M08	S06
Rough opening (WxR)	in. 21 x 27 1/8	21 x 38 1/8	21 x 46	21 x 54 3/4	21 x 70 1/2	30 x 38 1/8	30 x 46	30 x 54 3/4	44 x 46
Outside frame (SxL)	in. 23 1/8 x 28	23 1/8 x 39	23 1/8 x 46 7/8	23 1/8 x 55 1/2	23 1/8 x 71 3/8	32 1/8 x 39	32 1/8 x 46 7/8	32 1/8 x 55 1/2	46 1/4 x 46 7/8
Daylight area (glass)	sq. ft. 2.57	3.64	4.54	5.54	7.37	5.62	7.03	8.57	10.91
	m² 0.22	0.34	0.42	0.51	0.68	0.52	0.65	0.80	1.03

See recommended flashings on page 16 - 17

FX Fixed



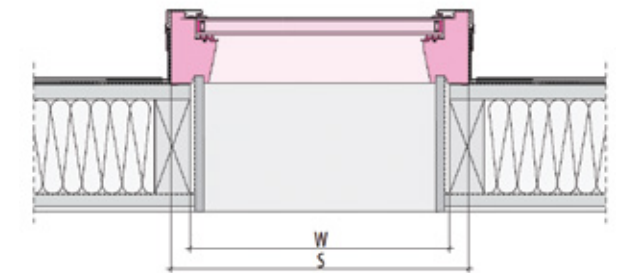
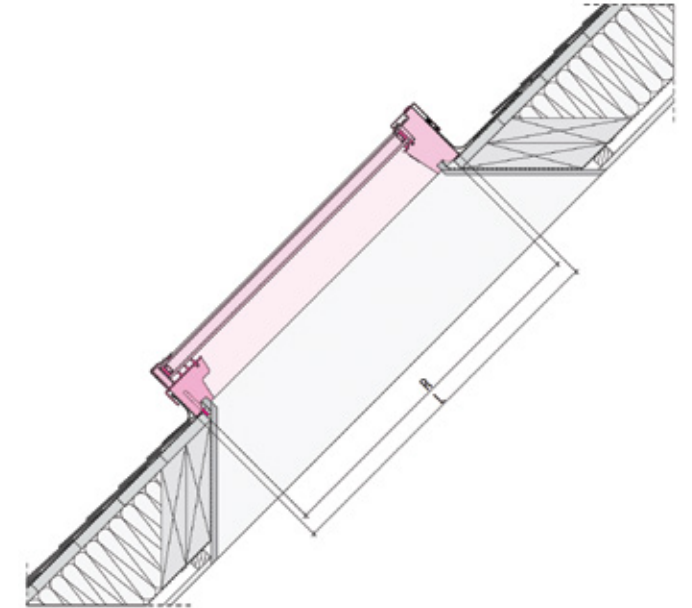
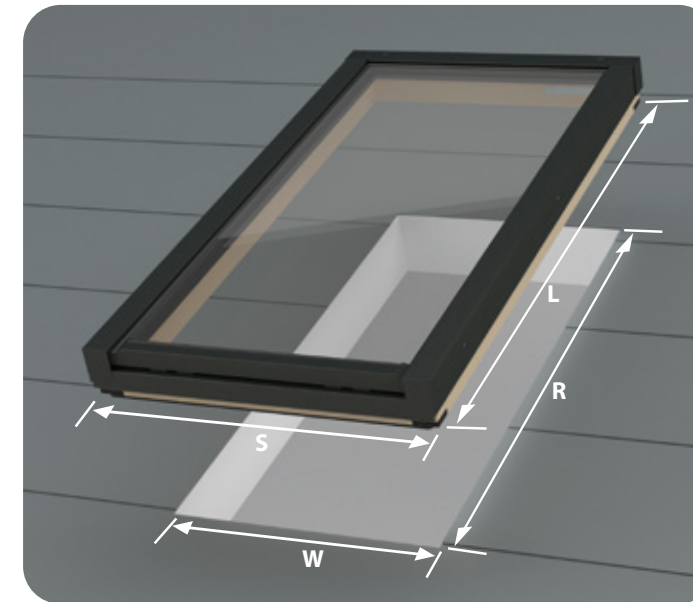
The Warmth of Natural Light

DECK MOUNTED FIXED SKYLIGHT

You want to bring a room to life with the beauty and warmth of natural light, while enhancing your home's elegance and sophistication. Our FX deck mounted fixed skylight is the perfect choice. Natural light contributes to the livability of your home, adding comfort, functionality and positively impacting your health and mental well-being. Our most popular skylight for years, the FX is a proven leader in skylight design, manufactured to the highest standard in Europe and providing the elegance of factory lacquered solid natural wood construction.

Features:

- Suitable for roof pitches between 15-85 degrees.
- Low-emission and heat-reflecting double glazed glass.
- Warm spacer increases condensation resistance.
- Perimeter gasket underneath the frame.
- Internal gasket system to collect and drain any possible condensation to the outside.
- Solid natural wood construction, providing superior thermal performance and aesthetic beauty.
- Blackout (SRF-MX) or light filtering (SRP-MX) blinds available.



FX Specifications

Glazing unit	G3 Tempered-Tempered	G31 Tempered-Laminated
SHGC	0.21	0.21
U-Factor [BTU/h ft²F]	0.39*	0.39*
VT Visible Transmittance	0.41	0.40
CR Condensation Resistance	65	65
Air Infiltration [cfm/ft²]	0.02	0.02
Water Penetration [Pa]	730	730
Uniform Load Deflection	125 psf	125 psf
Uniform Load Structural	+250 psf / -187.5 psf	+250 psf / -187.5 psf

* 0.39 U-factor qualifies for ENERGY STAR® with EL, EL-T, EH-A, EH-AT Flashings

G3 Glazing



- Glazing Unit G3 - Tempered-Tempered
- Single chamber "Solar Factor" glazing unit 4HT - Tg16Ar - 4H
- Sunscreen external pane tempered, 0.16" thick
- Internal pane tempered, 0.16" thick
- Warm TGI spacer
- R-Value 5.7 (glass)
- Glazing cavity filled with inert Argon gas

G31 Glazing



- Glazing Unit G31 - Tempered-Laminated
- Single chamber "Solar Factor" glazing unit 4HT - Tg14Ar - 33.2
- Sunscreen external pane tempered, 0.16" thick
- Internal pane laminated 33.2 PVB (0.25") - P2A class as per EN 356, 1(B)1 as per EN 12600
- Warm TGI spacer
- R-Value 5.2 (glass)
- Glazing cavity filled with inert Argon gas

FAKRO FX SKYLIGHT DIMENSIONS

Model	106	301	304	306	308	312	504	506	508	806
Size Code - FS	A06	C01	C04	C06	C08	C12	M04	M06	M08	S06
Rough opening (WxR)	in. 14½ x 46	21 x 27½	21 x 38½	21 x 46	21 x 54¾	21 x 70½	30 x 38½	30 x 46	30 x 54¾	44 x 46
Outside frame (SxL)	in. 16¾ x 46¾	23½ x 28	23½ x 39	23½ x 46¾	23½ x 55½	23½ x 71¾	32½ x 39	32½ x 46¾	32½ x 55½	46¼ x 46¾
Daylight area (glass)	sq. ft. 3.46	2.92	4.31	5.30	6.39	8.39	6.46	7.94	9.58	12.09
	m² 0.32	0.27	0.40	0.49	0.59	0.78	0.60	0.74	0.89	1.12

FLASHINGS FOR DECK MOUNTED SKYLIGHTS



EL

EL flashing is suitable for skylights installed with flat roofing materials, such as shingles, plain-tile, double-lap roofing or slates. The side elements of the flashing are laid alternately with the roofing material (maximum roofing material thickness 5/16") for superior performance. The bottom section of the flashing is equipped with a butyl strip to protect against wind driven rain or snow in stormy conditions.

EL – flashing for use with FX, FV, FVE, FVS deck-mounted only.

EL-T THERMO, ELA-T THERMO

EL-T Thermo and ELA-T Thermo Flashings are a new product in the FAKRO range that provides superior integration with an insulated roof. These flashings help eliminate "cool areas" that sometimes occur between the roof deck and skylight causing condensation on the interior drywall.

The underside of the Thermo Flashing has a flexible insulating material, creating a barrier by tightly sealing the skylight frame. FAKRO's Thermo Flashing works well in combination with insulated roofs and is especially recommended in cold regions*.

Skylights used in conjunction with the FAKRO Thermo Flashing system are ENERGY STAR® certified.

EL-T – flashing for use with FX skylights only.

ELA-T – flashing for use with FV, FVE, FVS skylights only.

EH-A

EH-A is the ideal flashing for profiled and high-profiled corrugated materials, bonding the skylight with roofing materials such as tiles, corrugated and standing seam metal sheets.

A wider and longer lower section allows a tighter joint with the high profiled roofing material (the height of the profile 1 1/4" to 3 1/2"). A butyl strip holds down the bottom section of the flashing.

EH-A – flashing for use with FX, FV, FVE, FVS deck-mounted skylights only.

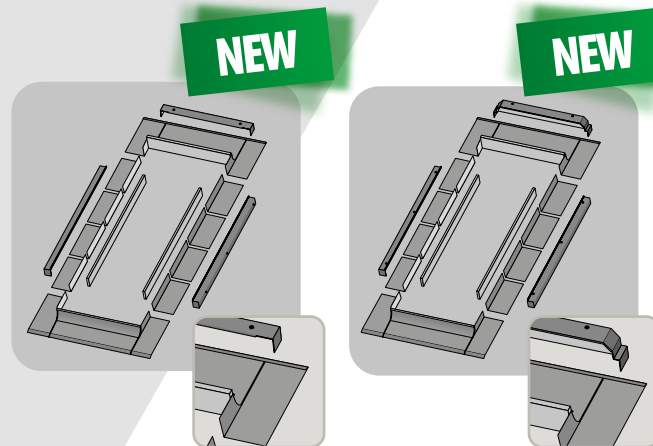
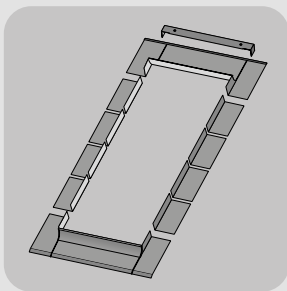
EH-AT THERMO, EH/A-AT THERMO

EH-AT Thermo and EH/A-AT Thermo flashings are new products in FAKRO's range. This innovative flashing provides a better insulated connection with the skylight frame and roof decking. Additionally, it minimizes thermal bridges and condensation. The underside of the Thermo flashing has a flexible insulating material, creating a barrier by tightly sealing the skylight frame. FAKRO's Thermo flashing works well in combination with insulated roofs and is especially recommended in cold regions*.

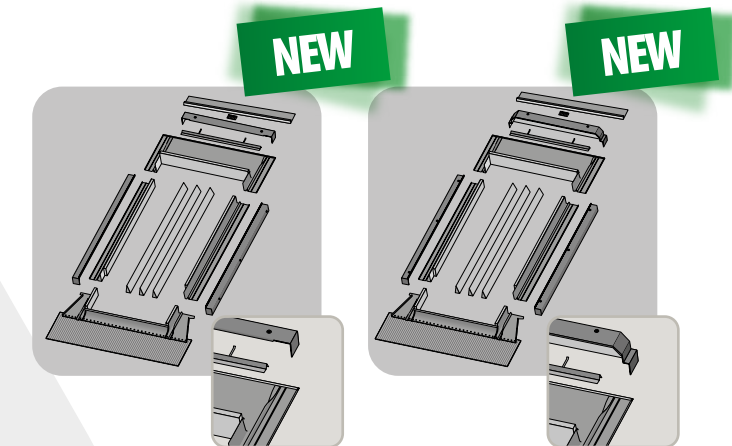
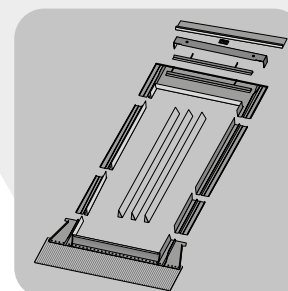
Skylights used in conjunction with the FAKRO Thermo Flashing system are ENERGY STAR® certified.

EH-AT – flashing for use with FX skylights only.

EH/A-AT – flashing for use with FV, FVE, FVS skylights only.



* Increase R-value by up to 10% with Thermo Flashing. 👍



* Increase R-value by up to 10% with Thermo Flashing. 👍



V40P

DECK MOUNTED BALCONY WINDOW

FGH-V Galleria

FGH-V Galleria is an innovative deck mounted window design, where the sash opens to create a balcony, maximizing the livability of a loft. The upper top hung sash opens upwards to 45°, supported by an integrated auxiliary mechanism which allows the upper sash to open in any position within this range. Whereas, the lower sash can be tilted vertically to 90°, allowing easy access to the balcony. The balcony sash can be hinged and locked in any position from closed to vertically upright. The upper sash can be opened and locked from closed to 45°. For safety, side railings are integrated into the bottom sash and automatically expand during opening. When the lower sash is closed, **the balcony railings are hidden inside the window profiles**, unlike competitive models.



Features:

- Suitable for roof pitches between 35-55 degrees.
- Energy efficient triple pane Low E Krypton P5 Tempered/Laminated glazing unit.
- Premium narrow grain natural pine frame, pressure treated and factory lacquered.
- System of reinforced window structure **topSafe**
- Opening safety restrictor.
- Roof slope required at time of ordering to ensure correct railings are provided.
- Flashing and underlayment sold separately.
- Includes **automatic air inlet V40P**, providing the ideal amount of airflow into the room, even when closed (see page 20).
- Top sash rotates inward for easy cleaning from the inside.



The upper sash can be raised smoothly up to an angle of 45°. Side safety railings are integrated into the bottom sash and they tilt forward when the sash is opened.

Installation of balcony windows should only be performed by a qualified professional.

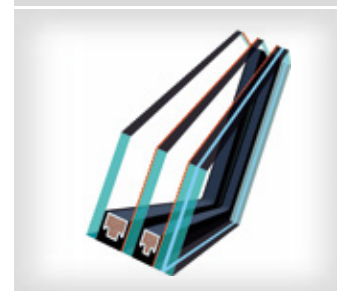
When closed, **the balcony railings are hidden from view in the window profiles**, so they do not collect dirt and spoil the aesthetics of the roof, unlike competitive models.

FGH-V balcony windows require special flashings: ELV/G for shingles and EHN/G for profiled roofing materials (tiles).

FGH-V Specifications

Glazing Unit	P5 (Temp-Temp-Lam)
Window U-Value (W/m²K)	1.1
Glazing U-Value (W/m²K)	0.5
Inert gas filled panes	Krypton
Light transmittance factor	0.68
Solar factor	0.48
Air permeability class	Class 3 as per EN 1026, EN 12207
Impact resistance	Class 3 (450mm) as per EN 13049

P5 Glazing Benefits



- Glazing Unit – P5 – Tempered – Tempered – Laminated
- Double chamber glazing 4HS – 10 – 4HT – 8 – 33.2T
- External tempered pane with easy maintenance layer
- Centre pane Low Emission tempered
- Internal pane Low Emission laminated PVB – Class P2A according to standard EN 356
- Warm TGI spacer
- U-Value 0.5 (glass)
- Glazing cavity filled with inert Krypton gas

DECK MOUNTED TOP HUNG AND PIVOT ROOF WINDOW

FPP-V preSelect Max

The FPP-V preSelect MAX top hung and pivot window is our latest innovation, allowing the window to open from the top and centre. The sash can be opened up to 45°, which is nearly 30% more than the previous model. This significant improvement creates more usable space within the room. Two independent patented opening mechanisms ensure the complete stability of the sash in both opening positions. This increases the window's durability and makes it safer to operate.



FPP-V roof windows require a special flashing ELN for shingles and EHN-A for high profiled roofing materials (metal and tile roofs).



FAKRO's preSelect switch to convert the window from top-hung to centre pivot.



Features:

- The window is double-glazed as standard and by using a single chamber construction with energy saving panes, each glazed unit achieves a U Value = 0.18 BTU/hft²F.
- An ideal solution for attic or loft room, incorporating European design.
- The pivot function enables the sash to be rotated through 180° and locked when cleaning the outer pane.
- Unique opening mechanism can be changed using the preSelect sliding switch located in the middle of the frame, converting the window from top hung to centre pivot.
- Includes automatic air-inlet V40P, providing the ideal amount of air flow into the room.
- Premium narrow grain natural pine frame, pressure treated and factory lacquered.
- Internal gasket system to collect and drain any possible condensation.
- Energy efficient Low E argon P2, tempered / laminated glazing unit.
- Flashing and underlayment sold separately.
- Blackout (ARF) or light filtering (ARP) blinds available.
- Mosquito screens (AMS) available.

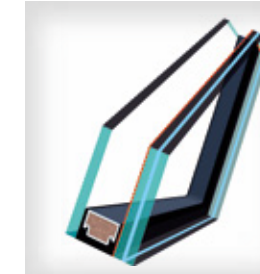
FPP-V preSelect Specifications

Glazing Unit	P2 (Tempered - Laminated)
Window U-Value (W/m²K)	1.3
Glazing U-Value (W/m²K)	1.0
Inert gas filled panes	Argon
Light transmittance factor	0.75
Solar factor	0.52
Air permeability class	Class 4 as per EN 12207
Impact resistance	Class 3 (450mm) as per EN 13049



V40P vent allows for air flow when closed.

P2 Glazing Benefits



- Glazing unit – P2 – Tempered - Laminated
- Single chamber glazing 4HS – Tg14Ar – 33.2T
- Offers increased resistance against breakage
- External tempered pane with easy maintenance layer
- Internal pane Low Emission laminated PVB – Class P2A according to standard EN 356
- Warm TGI spacer
- U-Value 1.0 (glass)
- Glazing cavity filled with inert Argon gas

FAKRO TOP HUNG AND PIVOT WINDOW FPP-V PRESELECT MAX DIMENSIONS

Model Size Code	Rough opening (WxR)	Outside frame (SxL)	Daylight area (glass)										
				16 CK06	04 FK06	05 MK04	06 MK06	07 MK08	80 PK10	10 SK06	12 UK04	17 UK08	
	in.	in.	sq. ft. / m²	22 x 46%	26¼ x 46%	31 x 39	31 x 46%	31 x 55½	37¼ x 63½	45¼ x 46%	53 x 39	53 x 55½	
				21½ x 46½	25% x 46½	30¼ x 38%	30¼ x 46½	30¼ x 55	36% x 63	44¼ x 46 ½	52% x 38%	52% x 55%	
				5.38 / 0.50	6.67 / 0.62	6.67 / 0.62	8.07 / 0.75	9.80 / 0.91	13.89 / 1.29	12.38 / 1.15	12.06 / 1.12	17.65 / 1.64	



DECK MOUNTED PIVOT WINDOW

FTP-V

The FTP-V centre pivot window is the most popular FAKRO roof window sold in Europe. The innovative center pivot allows the sash to open in a range of positions, increasing the amount of fresh air which can be drawn into the room. The sash can also be rotated 180° and locked, allowing for easy and safe cleaning of the outer pane and operated using a two-part hinge. Get the advantage of improved air flow circulation, even when the window is closed, through the automatic air inlet V40P located on the top of the window's frame. When opened, the inlet will automatically adjust the size of the air flow channel to provide an optimum amount of air into the room, ensuring a healthy environment and energy savings.



Features:

- The window is double-glazed and uses a single chambered pane construction to save energy. Each glazed unit achieves a pane U Value = 0.19 BTU/hft²F.
- Manufactured using high quality edge grain natural European pine, impregnated and finished with two coats of acrylic lacquer.
- Handle positioned on the lower part of the sash for ease of use.
- Able to be fixed in two open positions, allowing for improved air circulation.
- Suitable for roofs with pitches between 15 to 85 degrees.
- Internal gasket system to collect and drain any possible condensation.
- Energy efficient, LoE argon P2 tempered/laminated.
- Flashing and underlayment sold separate.
- Including automatic air inlet V40P providing the ideal amount of air flow into the room.
- Blackout (ARF) or light filtering (ARP) blinds available.
- Mosquito screens (AMS) available.
- Z-Wave solar or hard wired electric versions available by special order.



Automatic V40P air inlet used in FAKRO windows is of unique design:

The air inlet channel is designed so hot air avoids contact with the cooling effect of the colder aluminium. As a result there is no water vapour condensation (however, condensation may occur when the gravitationally activated inlet vent is not working properly).

The air inlet design and construction provides excellent thermal and acoustic values.



The air inlet provides outstanding air filtration, keeping dust out of the room.

FTP-V P2 Specifications

Glazing Unit	P2 (Tempered - Laminated)
Window U-Value (W/m²K)	1.3
Glazing U-Value (W/m²K)	1.0
Inert gas filled panes	Argon
Light transmittance factor	0.70
Solar factor	0.52
Air permeability class	Class 4 as per EN 1026, EN 12207
Impact resistance	Class 3 (450mm) as per EN 13049

P2 Glazing Benefits



- Glazing Unit – P2 Tempered - Laminated
- Single chamber glazing 4HS – Tg14Ar – 33.2T
- Offers increased resistance against breakage
- External tempered pane with easy maintenance layer
- Internal pane Low Emission laminated PVB - Class P2A according to standard EN 356
- Warm TGI spacer
- U-Value 1.0 (glass)
- Glazing cavity filled with inert Argon gas

DECK MOUNTED THERMO WINDOW

FTT U6 & FTT U8 THERMO

The innovative FTT Roof Window provides our best energy saving insulation, delivering an excellent overall heat-transfer rating. The window functions as an efficient system, from the glazing, to the frame, to the flashing. Ideal for Passive House construction, and is available in two versions: FTT U6 and FTT U8 Thermo. The glazing is set in a specially designed thicker natural wood frame with wider profile than standard windows, working in unison with thermal insulation to minimize thermal bridges.



Features:

- The FTT features a centre pivot with a raised axis of rotation. Creating space and the ability to stand comfortably under the window.
- Sash frame is engineered to be thicker than standard windows and significantly increases durability and the thermo-insulation.
- The innovative closing mechanism locks the sash from both sides of the frame.
- Best-in-class sound insulation.
- Sash can be held open anywhere along the 0 to 45 degree opening.
- FTT U8 is the only quad glazed venting roof window with Krypton gas for extreme climates.
- Blackout (ARF) or light filtering (ARP) blinds available. XGP overlay required for blind installation on all FTT models.
- Mosquito screens (AMS) available.
- Z-Wave solar or hard wired electric versions available by special order.



FTT U6

Triple Glazed. High energy efficient glazing unit U6.



FTT U8-VSG Thermo

Quad Glazed. Passive U8 glazing unit. The most efficient roof window available, supplied with EHV-T Thermo Flashing.

FTT U6 Specifications

Glazing Unit	U6 (Temp/Temp/Lam)
Window U-Value (W/m²K)	0.8
Glazing U-Value (W/m²K)	0.5
Inert gas filled panes	Argon
Light transmittance factor	0.62
Solar factor	0.47
Air permeability class	Class 4 as per EN 12207
Impact resistance	Class 3 (450mm) as per EN 13049

FTT U8 Specifications

Glazing Unit	U8 (Temp/Temp/Temp/Lam)
Window U-Value (W/m²K)	0.58
Glazing U-Value (W/m²K)	0.3
Inert gas filled panes	Krypton
Light transmittance factor	0.57
Solar factor	0.43
Air permeability class	Class 4 as per EN 12207
Impact resistance	Class 3 (450mm) as per EN 13049

U6 Glazing High Energy Efficient Benefits



- Double chamber glazing 6HT – Tg18Ar – 4H – Tg18Ar – 33.2T
- Three panes: external toughened pane, internal toughened with low emission layer and inner (consists of two panes with 0.76mm (2x0.38mm) layer of PVB plastic membrane between them) laminated anti-burglary glass P2A
- The unit has two warm TGI spacers
- The chamber cavities are filled with inert Argon gas

U8-VSG Glazing Passive Energy Benefits



- Triple chamber glazing 4H – Tg12Kr – 4HT – Tg12Kr – 4HT – Tg12Kr – 33.2T
- It has three low emission layers and warm TGI spacers. Inner laminated anti-burglary glass P2A.
- The 12mm chamber cavities between the panes are filled with inert Krypton gas

FAKRO PIVOT WINDOW FTP-V DIMENSIONS

Model	16	04	05	06	07	80	10	12	17
Size Code	CK06	FK06	MK04	MK06	MK08	PK10	SK06	UK04	UK08
Rough opening (WxR)	in. 22 x 46%	26¼ x 46%	31 x 39	31 x 46%	31 x 55½	37¼ x 63½	45¼ x 46%	53 x 39	53 x 55½
Outside frame (SxL)	in. 21½ x 46½	25¾ x 46½	30¼ x 38%	30¼ x 46½	30¼ x 55	36¾ x 63	44¾ x 46½	52¾ x 38%	52¾ x 55½
Daylight area (glass)	sq. ft. 5.38	6.67	6.67	8.07	9.80	13.89	12.38	12.06	17.65
	m² 0.50	0.62	0.62	0.75	0.91	1.29	1.15	1.12	1.64

FAKRO FTT U6 & FTT U8 THERMO DIMENSIONS

Model	16	04	05	06	07	80	10	12	17
Rough opening (WxR)	in. 22 x 46%	26¼ x 46%	31 x 39	31 x 46%	31 x 55½	37¼ x 63½	45¼ x 46%	53 x 39	53 x 55½
Outside frame (SxL)	in. 21½ x 46½	25¾ x 46½	30¼ x 38%	30¼ x 46½	30¼ x 55	36¾ x 63	44¾ x 46½	52¾ x 38%	52¾ x 55½
Daylight area (glass)	sq. ft. 5.38	6.67	6.67	8.07	9.80	13.89	12.38	12.06	17.65
	m² 0.50	0.62	0.62	0.75	0.91	1.29	1.15	1.12	1.64

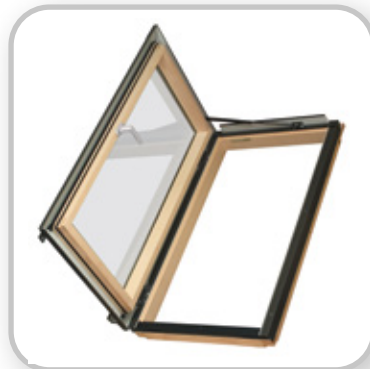


DECK MOUNTED ROOF ACCESS WINDOW

FWU Egress

Our FWU egress windows will not only light up a room, but they also provide easy access to the roof, or a way of escape in case of emergency. FWU roof access windows are designed for rooms where building codes require two methods of escape. We recommend that you install the FWU roof access windows as an egress roof window for safety and building code compliance. The roof access window is available in two versions: right opening FWU-R or left opening FWU-L (pictured). FWU size 24/46 windows are officially recognized as a certified **Fire Exit roof window (egress window*)** and can help save lives in case of emergencies such as a fire or flood.

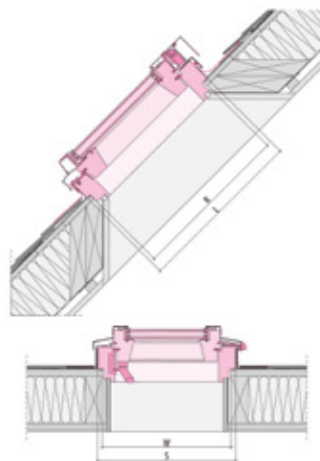
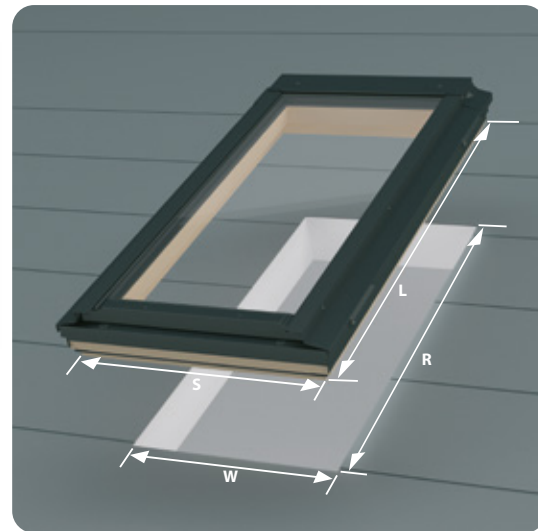
*model FWU 24/46 tested in accordance with IRC section R 310.1.1, R 310.1.2, R 310.1.3, R 310.1.4



FWU-L (left)



FWU-R (right)



Features:

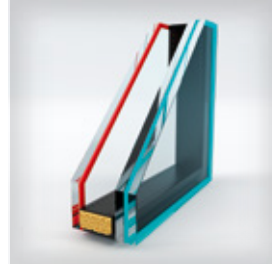
- Suitable for roof pitches between 15 to 55 degrees.
- Low-emission and heat-reflecting double glazed glass.
- Opening handle positioned halfway up the sash for ease of use.
- Internal gasket system to collect and drain any possible condensation to the outside.
- Requires special flashing ELW or EHW.
- Manufactured using high quality edge grain natural European pine, impregnated and finished with two coats of acrylic lacquer.
- Factory finished aluminum frame.
- Retractable insect screen available.
- Bracket free installation - no metal connections on exterior.

FWU Specifications

Glazing unit	G31 Tempered - Laminated
SHGC	0.20
U-Factor [BTU/h ft ² F]	0.41
VT Visible Transmittance	0.37
CR Condensation Resistance	54
Air Infiltration [cfm/ft ²]	0.18
Water Penetration [Pa]	730
Uniform Load Deflection	20.1 psf/-20.1 psf
Uniform Load Structural	60 psf/-60 psf

G31 Glazing Benefits

- Glazing Unit G31 – Tempered - Laminated
- Single chamber "Solar Factor" glazing unit 4HT-Tg14Ar – 33.2
- Sunscreen external pane tempered, 0.16" thick
- Internal pane laminated 33.2 PVB (0.25") – P2A class as per EN 356, 1(B) 1 as per EN 12600
- Warm TGI spacer
- R-Value 5.2 (glass)
- Glazing cavity filled with inert Argon gas



FAKRO SIDE HUNG WINDOW FWU DIMENSIONS

15°-55° 3/12 - 17/12				
Model		24/38	24/46	37/46*
Rough opening (WxR)	in.	22¼ x 37¾	22¼ x 45¼	38½ x 47¾
Outside frame (SxL)	in.	23½ x 38½	23½ x 46¼	36¾ x 46¼
Daylight area (glass)	sq. ft. m ²	3.55 0.33	4.52 0.42	10 0.93

*Installs with mounting brackets.

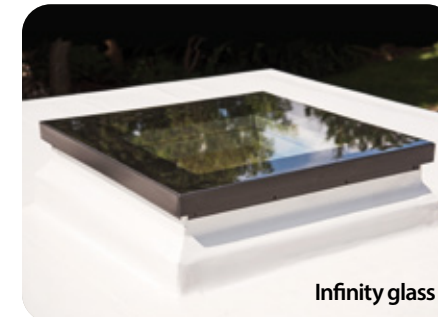
FLAT ROOF ACCESS SKYLIGHT

DRF

We are proud to offer this innovative new product, the DRF insulated roof access skylight joins our existing range of FAKRO flat roof solutions. In addition to acting as a skylight, it has the extra benefit of providing safe and convenient access to a flat roof. Specifically designed hinges and opening system allow for easy sash opening up to 80 degrees (except sizes 36"x48" and 48"x48" open to 60°). Gas springs aid with the ease of opening and keep the sash in a secure open position, eliminating the risk of accidental closing. The DRF can be adapted with a second XRD/W base frame for the installation in a green or living roof, and higher skylight curb.



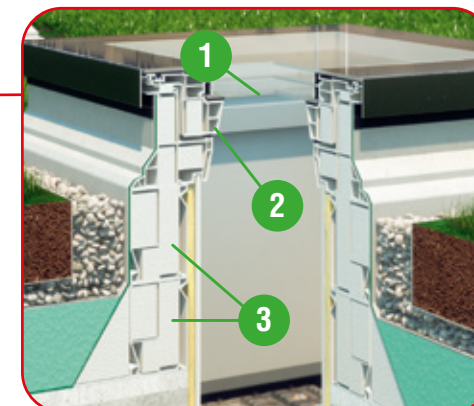
Flat roof access skylight



Infinity glass



- 1 DU6 triple-pane glazing
- 2 Multi-chamber PVC profiles filled with insulating material
- 3 Additional XRD/W bases available for installation in green or living roofs



DU6 Glazing Benefits

- Glazing Unit DU6 – Tempered - Tempered - Laminated
- Double Chamber Glazing 6H-18-4HT-18-44.2T / 6H-16-4HT-18-55.2T for sizes from 48x48
- Outer pane Anti-slip tempered laminated
- Centre pane Low Emission tempered
- Internal pane Low Emission laminated PVB - Class P2A according to standard EN 356
- Warm TGI spacer
- U-Value 0.5 (glass)
- Glazing cavity filled with inert Argon gas

FAKRO FLAT ROOF ACCESS SKYLIGHT DRF DIMENSIONS

2°-15° 0/12 - 3/12						
Model		30/30	30/36	36/36	36/48	48/48
Rough opening (WxR)	in.	29¾ x 29¾	29¾ x 34¾	34¾ x 34¾	34¾ x 46¾	46¾ x 46¾
Outside frame (SxL)	in.	39¼ x 39¼	39¼ x 44¾	44¾ x 44¾	44¾ x 55¾	55¾ x 55¾
Daylight area (glass)	sq. ft. m ²	4.52 0.42	5.43 0.5	6.46 0.6	8.93 0.83	12.49 1.16



Features:

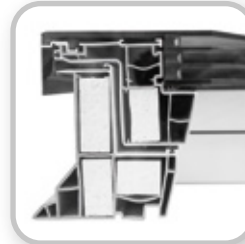
- **Infinity glass** top surface, up to 16% greater glazing area compared to competitive offerings.
- An ideal solution for easy and secure access to a flat roof, with the benefit of natural light.
- Roof access door with patented hinges and gas springs opens to 80 degrees keeping the door stable in the open position.
- The frame of the flat roof skylight is constructed of multi-chamber PVC profiles filled with highly rated insulation. The upper part of the DRF roof access skylight comes with an innovative flat glazing unit.
- The DRF roof access skylight is an energy-efficient, DU6 triple glazed with a Class P2A anti-burglary inner pane (EN14351-1:2006+A2:2016) and a whole window U-value = 0.13 BTU/h ft² F R-value = 7.7.
- Windows can also be mounted on an additional XRD/W base, providing a height of 5 7/8" (15cm), suitable for the installation in a green or living roof, and higher skylight curb.
- Designed for pitches between 2 and 15 degrees.
- Featuring a triple glazed DU6 glazing unit, Tempered/Tempered/Laminated.
- Blackout (ARF-D) blinds available.



DECK MOUNTED SKYLIGHT FOR A FLAT ROOF

DEF, DMF, DXF

0.12
BTU/hft²F
U-value
for US, triple chamber



DEF, DMF & DXF skylights are manufactured with outstanding thermal insulation.

The DEF, DMF & DXF skylights are engineered to provide natural light and fresh air ventilation for flat roof buildings where standard vertical windows are not possible. This technologically advanced skylight dramatically improves the environment of the people living or working below. The high-performance design incorporating the highest level of thermal insulation resulting in energy saving. The DEF, DMF and DXF can be adapted with a second XRD base frame for the installation in a green or living roof, and higher skylight curb.

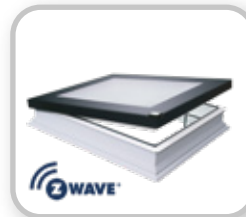
The frame is designed with a unique profiled covering under the drip cap, dramatically improving the water seal and connection with the roofing material.

Now every room under a flat roof can be flooded with warm natural light and fresh air.

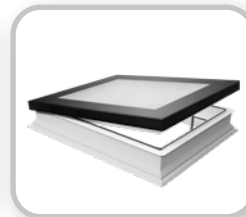
More economical DEG, DMG, DXG-P2 (Temp/Laminated) version also available by special order.

Featuring **Infinity** glass edge.

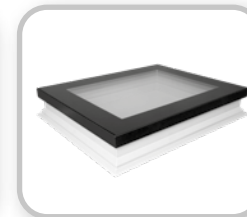
Flat roof windows are available in three versions.



DEF Electric Venting with wireless radio system for Smart Home applications (solar or wired).



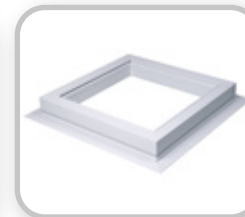
DMF Manual Venting.



DXF Fixed.



Rain Sensor.



Installation Base XRD.

Features:

- **Infinity glass** top surface, up to 16% greater glazing area compared to competitive offerings.
- Suitable for roofs with pitches between 2 and 15 degrees.
- Innovative glazing unit featuring leading edge design.
- Perfect solution for energy efficient passive buildings.
- Available with two glazing units: DU6 (triple-glazed) and DU8 (quadruple-glazed). Both are hermetically sealed units.
- Excellent thermal insulation parameters for the entire quadruple glazed (DU8) skylight with an R-value of 8.9. Triple glazed (DU6) skylight has an R-value of 8.1.
- Sound value: 38 dB for DU6 and 37 dB for DU8.
- Can be used with roofing products such as TPO, PVC, EPDM single ply or torched down membranes.
- Blackout (ARF-D) blinds available.

* DEF - is available as solar(S) or hard wired(E) electric versions.

DU6 Glazing Benefits



- Glazing Unit DU6 – Tempered - Tempered - Laminated
- Double Chamber Glazing 6H-18-4HT-18-44.2T / 6H-16-4HT-18- 55.2T for sizes from 48x48
- Outer pane, tempered
- Centre pane Low Emission toughened
- Internal pane Low Emission laminated PVB - Class P2A according to standard EN 356
- Warm TGI spacer
- U-Value 0.5 (glass)
- Glazing cavity filled with inert Argon gas

FAKRO FLAT ROOF DECK MOUNTED SKYLIGHT DEF, DMF, DXF DIMENSIONS

Model	22/46	30/30	30/36	36/36	36/48	48/48
Rough opening (WxR) in.	21 ⁷ / ₈ x 45 ⁷ / ₈	29 ⁷ / ₈ x 29 ⁷ / ₈	29 ⁷ / ₈ x 34 ³ / ₄	34 ³ / ₄ x 34 ³ / ₄	34 ³ / ₄ x 46 ⁵ / ₈	46 ⁵ / ₈ x 46 ⁵ / ₈
Outside frame (SxL) in.	31 ¹ / ₈ x 55 ¹ / ₈	39 ¹ / ₄ x 39 ¹ / ₄	39 ¹ / ₄ x 44 ¹ / ₈	44 ¹ / ₈ x 44 ¹ / ₈	44 ¹ / ₈ x 55 ⁷ / ₈	55 ⁷ / ₈ x 55 ⁷ / ₈
Daylight area (glass) sq. ft. / m ²	5.06 / 0.47	4.52 / 0.42	5.43 / 0.5	6.46 / 0.6	8.93 / 0.83	12.49 / 1.16

WALKABLE SKYLIGHT

DXW

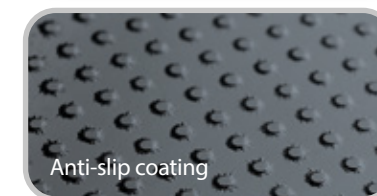
The DXW walkable skylight is another example of FAKRO's industry leading product development. Ideal for an accessible flat roof, creating an incredibly strong walkable surface, while allowing natural light into the room below. Its modern design, quality finish and engineering eliminates the danger of a trip hazard by being level with the roof surface, and featuring a durable non-slip surface coating. The only skylight manufacturer to offer this product.



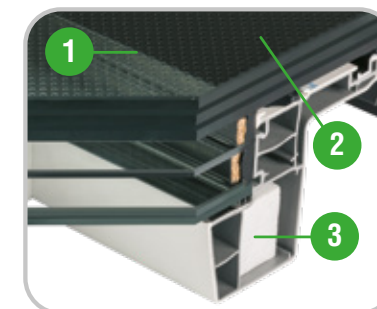
FAKRO has been given the prestigious award "ICONIC AWARDS 2018: Innovative Architecture - Best of Best" for its innovative DXW "walkable" flat roof window.



Infinity edge glass



Anti-slip coating



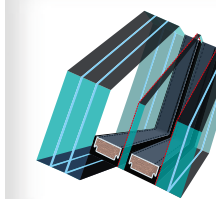
- 1 Passive, triple glazing with load capacity of 1,100 lbs/sq ft.
- 2 Anti-slip coating
- 3 Multi-chamber PVC profiles filled with insulating material



Features:

- Energy efficient DW6 triple pane glazing (Lam/Temp/Lam) with argon gas.
- Enhanced load capacity of 1,100 pounds /sq. ft.
- Special non-slip coating to ensure complete safety when walking across.
- Quick and easy installation with profiles that clamp the covering material and facilitate the finish of the window connection with the roofing material included as standard.
- Frame is constructed of multi-chamber PVC profiles filled with high performance insulation and the heavy-duty DW6 glazing unit is passive, double-chamber with a U-value of 0.12 Btu/h ft² F.
- Suitable for roof pitches between 0 to 15 degree.
- Designed for usable flat roofs to create a fully walkable surface, while the room below is infused with natural light.

DW6 Glazing Benefits



- Glazing Unit DW6 – Walkable surface, Laminated - Tempered - Laminated
- Double chamber Glazing 888.44(1xESG, 2xTVG)-16-4HT-18-66.2T
- Outer pane Anti-slip laminated
- Centre pane Low Emission tempered
- Internal pane Low Emission laminated PVB - Class P2A according to standard EN 356
- Warm TGI spacer
- U-Value 0.5 (glass)
- Glazing cavity filled with inert Argon gas

Energy efficient DW6 triple pane glazing (Laminated - Tempered - Laminated).

FAKRO WALKABLE SKYLIGHT DXW DIMENSIONS

Model	22/46	30/30	30/36	36/36	36/48	48/48
Rough opening (WxR) in.	21 ⁷ / ₈ x 45 ⁷ / ₈	29 ⁷ / ₈ x 29 ⁷ / ₈	29 ⁷ / ₈ x 34 ³ / ₄	34 ³ / ₄ x 34 ³ / ₄	34 ³ / ₄ x 46 ⁵ / ₈	46 ⁵ / ₈ x 46 ⁵ / ₈
Outside frame (SxL) in.	31 ¹ / ₈ x 55 ¹ / ₈	39 ¹ / ₄ x 39 ¹ / ₄	39 ¹ / ₄ x 44 ¹ / ₈	44 ¹ / ₈ x 44 ¹ / ₈	44 ¹ / ₈ x 55 ⁷ / ₈	55 ⁷ / ₈ x 55 ⁷ / ₈
Daylight area (glass) sq. ft. / m ²	5.06 / 0.47	4.52 / 0.42	5.43 / 0.5	6.46 / 0.6	8.93 / 0.83	12.49 / 1.16



BLACKOUT BLINDS

SRF/ARF

Control the light in a room like a child's bedroom with the SRF/ARF blackout blind. Our stylish, decorative blind is designed with runners at the sides to allow the blind to be positioned anywhere along the window. It also prevents daylight bleeding in from the sides, providing a complete blackout. High-quality construction throughout, the aluminum runners covering the fabric edge, a special seal in the lower aluminum slat, and the material covering the outer face of the fabric (reflecting the sun's UV rays) blocking out incoming light. While reducing light, the SRF/ARF blinds also reduce heat gain in the summer and prevent heat loss in the winter. The specially formulated fabric also protects against harmful UV radiation.

Blackout blinds for skylights:

- SRF-EX Z-Wave** – electric blackout blind for FX skylights.
- SRF-EV Z-Wave** – electric blackout blind for FV, FVE, FVS skylights.
- SRF-MX** – manual blackout blind for FX skylights.
- SRF-MV** – manual blackout blind for FV, FVE, FVS skylights.

Blackout blinds for roof windows:

- ARF** – manual blackout blind for pivot roof windows.
- ARF-Z-Wave** – electric blackout blind for pivot roof windows, for FTP/FPP/FTT*.

Blackout blinds for flat roof windows:

- ARF/D** – manual blackout blind for flat roof windows.
- ARF/D Z-Wave** – electric blackout blind for flat roof windows.

* Z-Wave blinds for model FTT must be ordered at the same time as the window for correct installation.

For out of reach areas, manual blinds operate with SZS Rod.

Features:

- Gradual reduction of incoming sunlight to full blackout.
- Partial protection from the solar heat gain.
- Blind stops and locks in any position.
- Reduction of heat loss during winter.
- Protection against harmful UV radiation.
- Provides complete privacy.
- The durable fabric is designed for easy cleaning.
- Comes in manual or electric version.

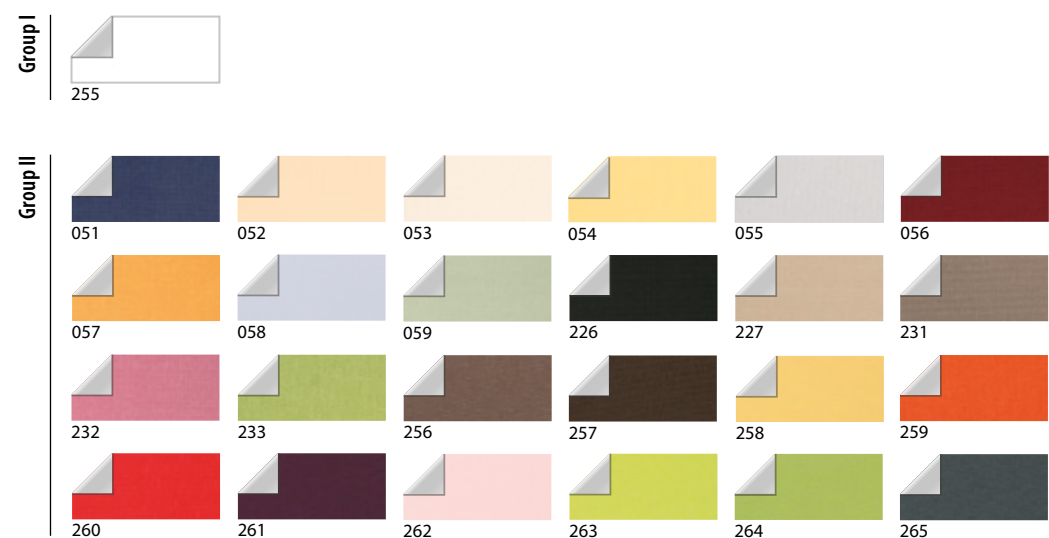


Blocks out the sun completely



Controls room lighting perfectly

Blackout Blinds Come In Two Colour Categories



Z-Wave provides superior Smart Home performance as it is the leading industry broadcast platform, and it does not compete for bandwidth with your WiFi and Bluetooth devices.

Z-Wave is widely used across most Smart Home systems and devices, providing the consumer with the confidence that it will be supported and upgraded for years to come.



LIGHT FILTERING BLINDS

SRP/ARP

The light reducing SRP/ARP roller blind provides protection against sunlight, pleasantly shading the interior during sunny days. A wide range of colors and designs to choose from will enhance the looks of the room and allows you to match the material with the interior design.

The aluminium runners cover the material edges and make it possible to lock the blind in any position.

SRP light filtering blinds for skylights:

- SRP-EX Z-Wave** – electric light-filtering blind for FX skylights.
- SRP-EV Z-Wave** – electric light-filtering blind for FV, FVE, FVS skylights.
- SRP-MX** – manual light-filtering blind for FX skylights.
- SRP-MV** – manual light-filtering blind for FV, FVE, FVS skylights.
- ARP** manual light-filtering blind for FTP/FPP/FTT roof windows.
- ARP-Z-Wave** -electric light-filtering blind for FTP/FPP/FTT* roof windows.

Light-filtering blinds are not available for flat roof windows.

* Z-Wave blinds for model FTT must be ordered at the same time as the window for correct installation.

For out of reach areas, manual blinds operate with SZS Rod.

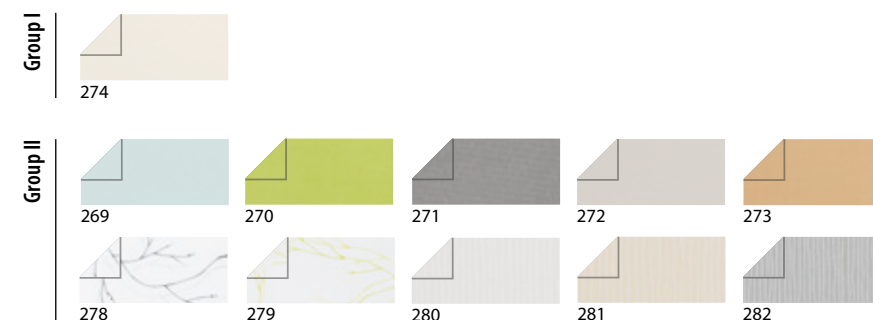


Rail guide system



Wide selection of fabrics

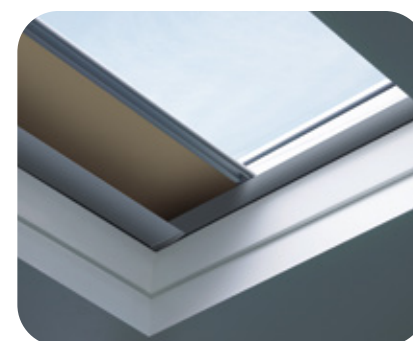
Colours of Light-Filtering Blinds



Blinds for Flat Roof Skylights

Blackout Blind ARF/D

Manually operated with SZS rod.



ARF/D Features:

- Gradual reduction of the incoming sunlight up to black out.
- Partial protection against heat from the sun.
- Ability to lock the blind in any position.
- Reduction of heat loss in the room in winter.
- Protection against UV radiation available in two versions - manual and electrical (opened with Z-Wave wireless radio system).

Blackout Blind ARF/D Z-Wave

Electrically operated with remote control or wall switch (wireless radio system).





RADIO CONTROL SYSTEM

FAKRO FVS/FVE skylights are equipped with the industry standard Z-Wave Smart Home radio technology. Z-Wave is one of the most widely used wireless broadcasting systems, so our products easily integrate with your Smart Home systems. Z-Wave is well supported, being constantly improved and updated to adjust to changing technology, removing the risk of a proprietary system offered by competitive manufacturers that may lack the support necessary to keep it up-to-date.

Alternatively, the skylight can be operated without being connected to a Smart Home Hub, with the included ZRH 12 Remote Control controlling the skylight directly.

The Z-Wave technology links all compatible Smart Home Hubs and devices into a single network: skylights and blinds, lighting, thermostats, alarms, computers, telephones, and air conditioning. Integrating with popular Smart Home systems such as Wink, Nest, Samsung SmartThings, Alexa, and Apple HomeKit.

Z-Wave is easy to install, expand, and manage, saving you time and money, while maximizing usability. Z-Wave eliminates unnecessary control units and wiring between electronic devices. Ideal for new builds, renovations or adding to an existing system.



CONTROL ACCESSORIES

Control Rod SZS

The expanding telescopic SZS Control Rod consists of two easy to adjust sections, providing effortless opening and closing of your hard to reach skylights. The control rod is available in two sizes, 4' - 6' and 6' - 10'. At the end of the pole is a sturdy metal ball connector for operating the manual opening mechanism of the FV skylight and manual blinds.

Hexball Adaptor

The SZK Crank on FV skylights installed in out of reach places can be replaced with a Hexball adaptor to allow operation with a SZS Control Rod. The Hexball adaptor is included with the SZS control rod.

Remote Control ZRH12

The ZRH12 - Z-Wave radio remote control is for use with FAKRO electric or solar powered skylights and blinds. The remote can create 12 separate groups of devices and control up to 12 receivers per each group. Z-Wave is the industry standard for Smart Home Technology. The ZRH12 is included with all FVE/FVS skylights.

Wall Switch Keyboard ZRW7

The ZRW7 Z-Wave wall switch keyboard controls FAKRO electric or solar skylights and blinds. The keyboard operates up to 7 separate groups with up to 12 skylights in a group (84 devices in total). Z-Wave is the industry standard for Smart Home technology.

Crank Handle SZK

The SZK crank handle is used to manually operate a skylight that is within reach. It comes standard with FAKRO manual venting skylights.



Your Smart Home Solution - Control Your FAKRO Smart Skylight (FVS/FVE) Using Your Z-Wave Smart Home System

All FAKRO FVS/FVE skylights are equipped with a Z-Wave radio control system, allowing for easy Smart Home system integration.

An easy 3 step process:

1. Purchase or use existing Smart Home Hub with Z-Wave compatibility.
2. Install and connect FAKRO skylights to your Z-Wave network.
3. Your skylights are now part of your Smart Home network. Control your FAKRO skylights through a variety of devices.



Control Your FAKRO Skylight (FVS/FVE) Using Our Remote Control or Keyboard

- Control your FVS/FVE skylights as a stand alone or multi-unit system using the included ZRH12 remote control.
- The remote controls up to 12 separate groups with up to 12 skylights per group (144 total).
- A wall keyboard is available, ZRW7, operating up to 7 separate groups with up to 12 skylights per group (84 total).





QUALITY SYSTEM AND CODE COMPLIANCE

FAKRO's products are made to the highest quality and specifications, incorporating innovative technology, exacting manufacturing processes and production management, and continuous improvements to manufacturing and working conditions. Quality control is an essential part of our manufacturing and each product is quality assessed at every stage of the production process. Our FAKRO Quality Control Supervisors perform 70 different laboratory control and measurement tests, ensuring the highest standard of product is delivered to our customer.

Quality control is conducted on all incoming products and components during the production process, leading to the highest standard of finished product.

We aim to provide consistent quality on all manufactured products, which earns our customers trust and continued satisfaction.

We are relentless in addressing new customer needs and our pursuit of future product development. Our dedication to ongoing research and development is essential to our success as a company, incorporating leading design and innovation into our existing and future products. Our commitment to customer satisfaction and honouring your trust in our products has been one of our core values since 1991.

In order to provide our customers products that are as safe as possible our skylights are tested for code compliance by accredited laboratories. After our products pass the tests and meet the requirements of applicable codes, they are certified by these recognized organizations.

Standard FAKRO skylights comply with the applicable requirements of the:

- International Building Code (IBC)
- International Residential Code (IRC)
- International Energy Conservation Code (IECC)

FAKRO deck mounted skylights are tested according to Canadian Standards Association (CSA) requirements.

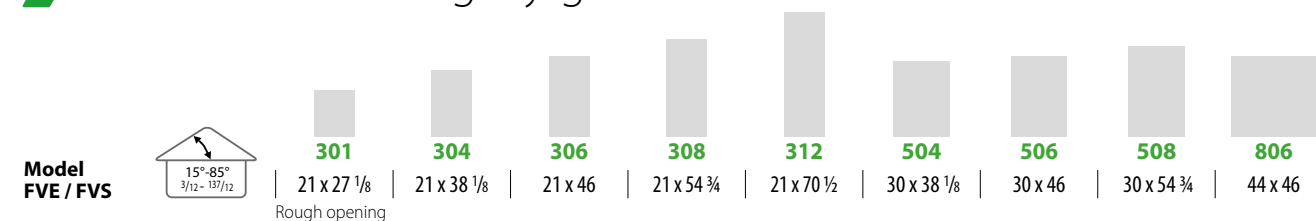
With the use of the highest quality specialized coated glass in our glazing units, FAKRO skylights are NFRC and ENERGY STAR® qualified for use in the USA and Canada. FAKRO skylights also meet the requirements of IGCC (Insulating Glass Certification Council) and IGMA (Insulating Glass Manufacturers Alliance), requirements for initial and post gas fill weathering certification.

FAKRO's (egress) access roof window FWU 24/46 tested in accordance with IRC section R 310.1.1, R 310.1.2 and is officially recognized as a certified Fire Exit roof window (Egress window). Certificate available at: fakro.ca

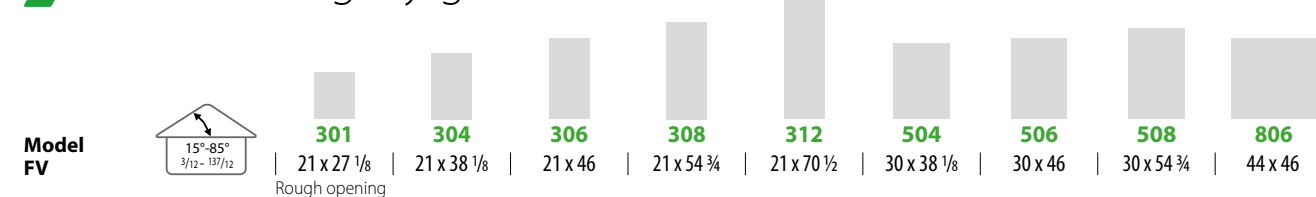
- AAMA/WDMA/CSA 101/I.S.2/A440-08** NAFS - North American Fenestration Standard/Specification for Windows, Doors, and Skylights
- A440S1-09** Canadian Supplement to AAMA/WDMA/CSA 101.I.S.2/A440, NAFS
- NFRC 100** Procedure for determining fenestration product U-factors



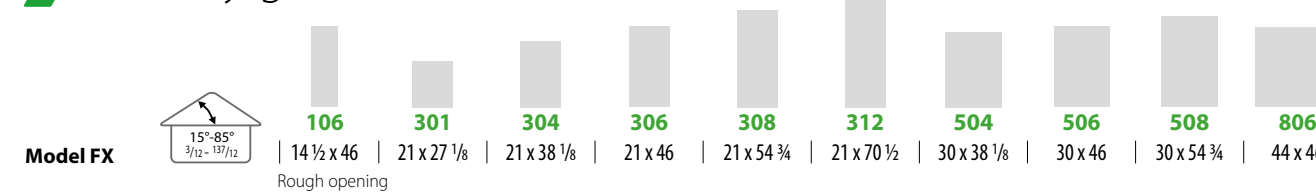
Electric & Solar Venting Skylight Sizes



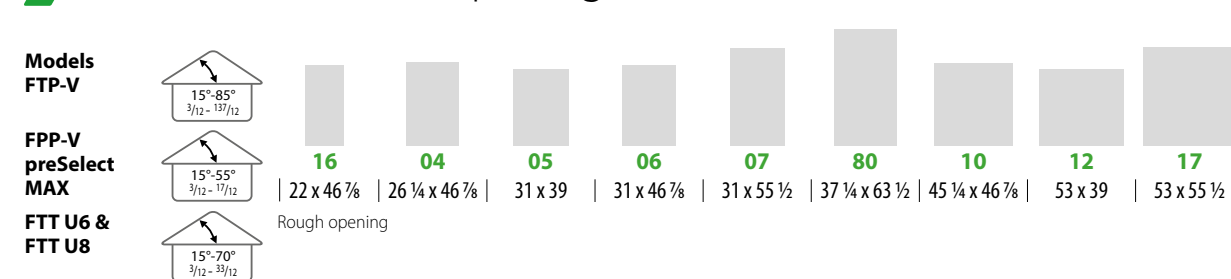
Manual Venting Skylight Sizes



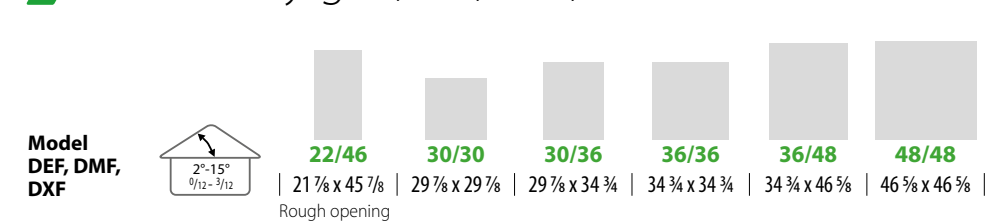
Fixed Skylight Sizes



Roof Window Sizes. Top Hung and Pivot Window



Flat Roof Skylights, DEF, DMF, DXF



Manufacturer stipulates that these ratings conform to applicable NFRC procedures for determining whole product performance. NFRC ratings are determined for a fixed set of environmental conditions and a specific product size. NFRC does not recommend any product and does not warrant the suitability of any product for any specific use. Consult manufacturer's literature for other product performance information.

With the use of highly selective solar glass in our glazing units, FAKRO skylights are NFRC qualified for use in Canada.

COLUMBIA SKYLIGHTS IS THE EXCLUSIVE CANADIAN DISTRIBUTOR OF FAKRO SKYLIGHTS AND ROOF WINDOWS

Since 1955 Columbia Manufacturing Co. Ltd., the leading Canadian skylight manufacturer, has sought innovative ways to service its customers, providing leading energy efficient glazing options and customization of all skylight product lines, both fixed and venting. We are pleased to offer the widest range of natural light options for both residential and commercial projects.

We are proud to be the exclusive Canadian distributor for FAKRO Skylights, the world's second largest manufacturer of skylights, accounting for close to 15% of all skylight sales worldwide, with products sold in more than 50 countries. This new FAKRO lineup includes a full range of deck mounted skylights – fixed, manual, electric and solar venting. All electric and solar venting skylights are equipped with Z-Wave technology allowing for easy Smart Home automation and control of your skylights. FAKRO also provides a full line of roof, centre and top pivot, and egress windows, including cabrio balcony windows and other specialty products.

As an award winning innovator, FAKRO manufactures a number of exclusive products. Such as the Passive House compatible pivoting quadruple glazed skylight, the architecturally striking walkable and flat roof skylight with **Infinity** glass, and the superior quality manual and electric blinds.

The new combined Columbia/FAKRO product line allows you to fulfill every possibility for your future projects. We sincerely appreciate your past and continued support, and look forward to serving you from our BC and Ontario distribution centres.



Columbia
SKYLIGHTS®

FAKRO®

Columbia Manufacturing Co. Ltd.

Head Office:

4575 Tillicum Street
Burnaby BC V5J 3J9
Tel: 604 437 3377
Fax: 604 437 4445
Toll Free Tel: 888 437 5557
Toll Free Fax: 866 437 7167
Email: orderdesk@columbiaskylights.com

Columbia Manufacturing Co. Ltd.

Eastern Distribution:

2340 Meadowvale Boulevard - Unit 12
Mississauga ON L5N 5P9
Toll Free Tel: 888 437 5557
Toll Free Fax: 866 437 7167
Email: orderdesk@columbiaskylights.com

Columbia Skylights

columbiaskylights.com

FAKRO Canada

fakro.ca



"Columbia Skylights" and the Columbia Skylights logo are registered trademarks of Columbia Manufacturing Company Ltd. All specifications are subject to change without prior notice. ©2021 COLUMBIA MANUFACTURING.

"FAKRO" and the FAKRO logo are registered trademarks of FAKRO Group. All specifications are subject to change without prior notice. ©2021 FAKRO GROUP.