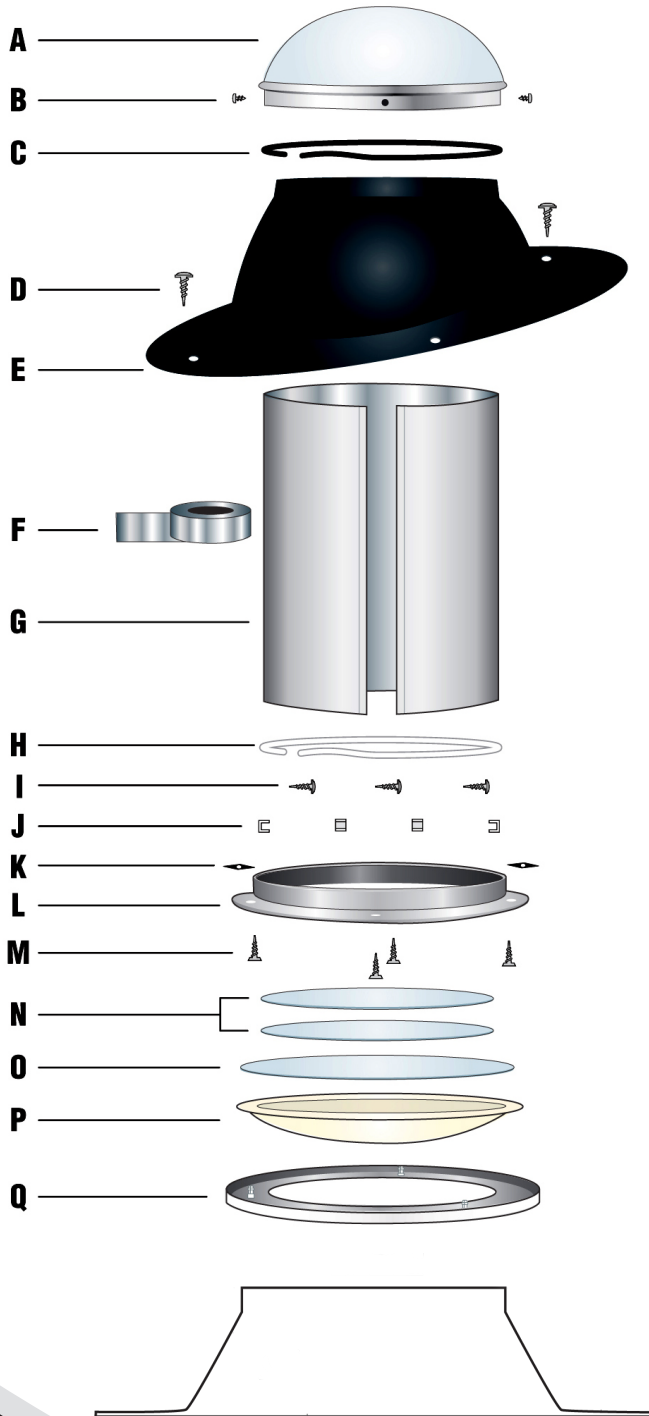


Columbia Sun Tube Technical Specifications



Flat Roof Flashing Kit Available

PITCHED ROOF FLASHING KIT INCLUDES:

- A.** Clear UV Protected, High Impact Acrylic Dome
- B.** (4) Phillips Head Stainless Steel ¼" Sheet Metal Screws
- C.** Black Nylon Horse Hair Gasket (self adhesive backed)
- D.** (6) Phillips Head Stainless Steel 1 ½" Screws
- E.** 1100 Series, Commercial Grade Aluminum Flashing
- F.** Heavy Duty Foil Tape
- G.** Light pipe (2) 24 » sections per kit, silver coated aluminum with 95% light reflectivity
- H.** White Nylon Horse Hair Gasket (self adhesive backed)
- I.** (8) Tek Screws
- J.** (4) U-channel PVC self-adhesive tabs (8 for 18" model)
- K.** (3) Black Speed Nuts
- L.** Aluminum Ceiling Ring
- M.** (3) 1 ½" Phillips Screws
- N.** (2) Small Clear Polycarbonate Lenses
- O.** (1) Large Clear Polycarbonate Lens
- P.** High Impact Acrylic Soft White or Prismatic Diffuser
- Q.** White Powder Coated Aluminum Trim Ring

Model Size	Coverage Area	Wattage Output Equivalent	Max Tube Length
10"	up to 150 sq. ft.	up to 300 watts	12'
13"	up to 300 sq. ft.	up to 500 watts	14'
18"	up to 500 sq. ft.	up to 1000 watts	14'
21"	up to 700 sq. ft.	up to 1450 watts	20'

Also available:

- Flat Roof Kit
- Electric Light Kit
- Light Tube Extension
- Elbow
- IWS Skylight Underlayment

