




**DESIGN
WITH
NATURAL
LIGHT**

WELCOME TO COLUMBIA SKYLIGHTS.



When our company was founded in 1955, we had no idea that we would grow to become Canada's largest manufacturer of skylight and solarium systems. Or that our products would revolutionize home life quality. † It may be the result of our commitment to engineering and craftsmanship. Or keeping the word perfection as the watchword behind every association you have with our name. † We have assembled the most diverse portfolio of easy to install skylights. Glass. Acrylic. All shapes. All sizes. Each offering the priceless advantage of home life enhanced by the bright warmth of natural light. † Our custom designs deliver solutions as practical and elegant as they are imaginative. Fact is, over the last four decades, we've done it all. From skylights spanning entire shopping plazas and unique swimming pool

enclosures to skylights for your kitchen, bathroom, hall or entrance way, enhancing the natural beauty of your home, adding immeasurably to its value and real investment worth. † Columbia is your complete skylight source. † We will afford your project the benefit of expertise and quality that stands the test of time. Ultimately, our products can be measured by the dedication we give to your total satisfaction. † We call it: **The Columbia Guarantee.** † Quite simply, you will not find a better quality product; a better selection of in-stock product to meet your needs; nor will you find a more complete line of competitively priced products and accessories. When all is said and done, Columbia has the proven capability to arrive at any skylight solution, for any job condition, architectural specifications, or budget allowance. † We welcome your challenge. † We welcome you to the brighter world of design by natural light... **COLUMBIA SKYLIGHTS .**



THE COLUMBIA GUARANTEE

Dedicated to your total satisfaction, Columbia skylights are crafted from the finest materials available, engineered with unparalleled quality. Guaranteed to be weathertight, providing a lifetime of enjoyment and trouble free maintenance. Guaranteed against faulty materials and workmanship for a period of twenty years from the original date of purchase. This warranty applies only to the models shown in this brochure.

SEE WARRANTY FOR COMPLETE DETAILS.

20 YEAR WARRANTY

YOUR SKYLIGHT GUIDE

WHAT SIZE?

Experts agree, the recommended ratio is at least one square foot of skylight per 20 square feet of floor space.

FIXED OR OPEN?

Choose from a standard fixed or a model that opens to allow fresh air in, and exhausts household fumes.

GLAZING STYLE?

Flat roofs require acrylic dome or pyramid skylights. Pitched roofs allow for acrylic dome, pyramid, or lower profile glass skylights.

GLAZING SHADE?

A bronze tint reduces glare and heat gain. White diffuses light, reduces shadows and heat gain. Clear, naturally, lets in the most light.

GLAZING ALTERNATIVES

Columbia gives you more options than any other skylight company. Almost infinite color options, whether you want to match to existing house glass color, or create something different.

Columbia manufactures specialty skylights. We can custom create the size and shape of your skylights to suit the designs of any discriminating architect, adding real flare to your home.

INSULATING GLASS

- Glass is suitable for sloped roofs with a minimum 3:12 pitch.
- Maximum thermal efficiency with sealed, dual pane glass units featuring a uniform 1/2" air space.
- Choose from energy efficient glazing options: Low E Argon, Heat Mirror, Solar Reflective Bronze or Tinted options in blue, green, bronze or grey.
- Safety glass combinations include:
 - Tempered over Tempered
 - Tempered over Laminated (clear or white)
- Let your imagination run wild. Having the industry's widest selection of glazing options, we can offer custom skylights to fit almost any requirement.



EASY INSTALLATION

See your Columbia installation guide for complete instructions.



Plan your installation:

Measure interior position of skylight and mark. Drive nails from inside through the roof at four corners to locate the correct area from above.



Cut away the roof:

Find exterior position of skylight and remove shingles to 2" away from the corner nails. Double check the dimensions and cut away the roof to the nail lines.



The roof curb:

Build your roof curb ahead of time using 2" x 4" or 2" x 6" lumber to inside dimensions of roof opening. Apply sealant along bottom of curb and place.



Sill and step flashing:

Form sill flashing and rest on shingles. Form step flashing beginning at bottom. See instructions for accurate sequence of flashing application.

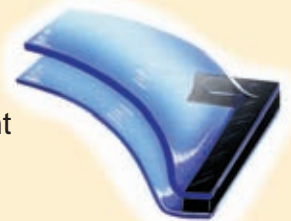


Install skylight:

Now you are ready to install your skylight. Apply 1/2" thick bead of non hardening caulking on top of the roof curb. Set skylight firmly upon the curb. From interior, screw the skylight to the curb through the pre-drilled flange.

PREMIUM QUALITY ACRYLIC

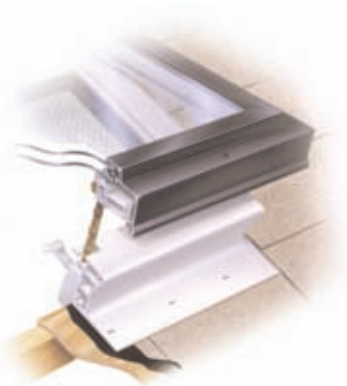
- Dome or pyramid models suitable for both flat or sloped roofs.
- Clear, bronze or translucent white, in single, double or triple glazed.
- Acrylic dome or pyramid units feature a uniform air space for maximum thermal efficiency.
- Polycarbonate dome and pyramids available.
- *Exclusive Columbia feature:* domes formed with masking to provide maximum protection against scratching and to maintain clean dome surface prior to and during installation.



VENTING SELF FLASHING

This venting skylight will allow you to achieve abundant natural light and maximum fresh air and temperature control.

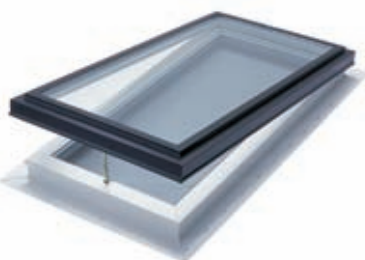
Ready to mount with their own mounting base, these skylights are easy to install. Excellent venting for bathroom, kitchen, loft and attic rooms.



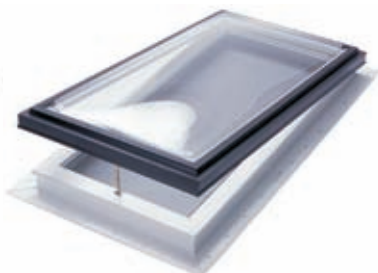
ALL UNITS FEATURE

- Self flashing models recommended for minimum 3:12 roof pitch.
- Wide recessed installation flange provides optimum seal.
- Attractive flush mount appearance.
- Available in glass or acrylic dome and pyramid glazing.
- Attractive low profile dome.
- No metal flashing system required.
- Built in bug screen standard.
- Operate with hand crank, telescopic pole, electric wall switch or remote control.
- Optional rain sensor automatically closes skylight.
- No curb (wood frame) construction is required.

MODEL	CURB ROUGH OPENING INCHES	MM	MODEL	CURB ROUGH OPENING INCHES	MM
OVSF 2020	14.5" x 14.5"	368 x 368	OVSF 2852	22.5" x 46.5"	572 x 1181
OVSF 2028	14.5" x 22.5"	368 x 572	OVSF 3636	30.5" x 30.5"	775 x 775
OVSF 2036	14.5" x 30.5"	368 x 775	OVSF 3652	30.5" x 46.5"	775 x 1181
OVSF 2052	14.5" x 46.5"	368 x 1181	OVSF 4040	34.5" x 34.5"	876 x 876
OVSF 2828	22.5" x 22.5"	572 x 572	OVSF 4052	34.5" x 46.5"	876 x 1181
OVSF 2836	22.5" x 30.5"	572 x 775	OVSF 4242	36.5" x 36.5"	927 x 927
OVSF 2840	22.5" x 34.5"	572 x 876	OVSF 5252	46.5" x 46.5"	1181 x 1181



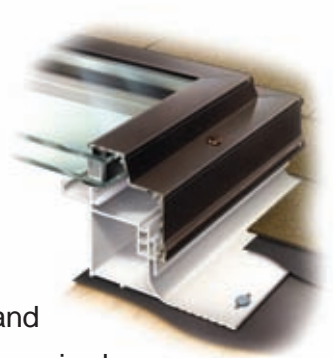
Operable Self Flashing Glass
(OVSVG)



Operable Self Flashing Acrylic Dome
(OVSFD)

SELF FLASHING

Ready to mount with their own mounting base, these skylights are easy to install on any composition shingle or shake roof. Wooden curb and aluminum flashing are not required.

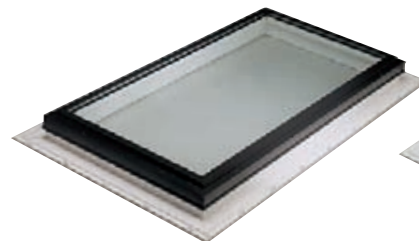


ALL UNITS FEATURE

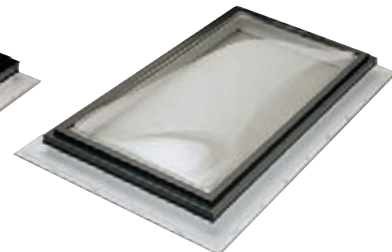
- Self flashing models recommended for minimum 3:12 roof pitch.
- Wide recessed installation flange provides optimum seal.
- Double wall framed construction forms an annular dead air space for optimal insulation.
- Attractive flush mount appearance.
- Available in glass and pyramid or acrylic dome glazing.
- No curb (wood frame) construction is required.
- No metal flashing system required.

MODEL	CURB ROUGH OPENING INCHES	MM	MODEL	CURB ROUGH OPENING INCHES	MM
VSF 2020	14.5" x 14.5"	368 x 368	VSF 3636	30.5" x 30.5"	775 x 775
VSF 2028	14.5" x 22.5"	368 x 572	VSF 3652	30.5" x 46.5"	775 x 1181
VSF 2036	14.5" x 30.5"	368 x 775	VSF 3668	30.5" x 62.5"	775 x 1588 *
VSF 2052	14.5" x 46.5"	368 x 1181	VSF 3676	30.5" x 70.5"	775 x 1791 *
VSF 2076	14.5" x 70.5"	368 x 1791	VSF 4040	34.5" x 34.5"	876 x 876
VSF 2828	22.5" x 22.5"	572 x 572	VSF 4052	34.5" x 46.5"	876 x 1181
VSF 2836	22.5" x 30.5"	572 x 775	VSF 4242	36.5" x 36.5"	927 x 927
VSF 2840	22.5" x 34.5"	572 x 876	VSF 4280	36.5" x 74.5"	927 x 1892 *
VSF 2852	22.5" x 46.5"	572 x 1181	VSF 5252	46.5" x 46.5"	1181 x 1181
VSF 2868	22.5" x 62.5"	572 x 1588	VSF 5276	46.5" x 70.5"	1181 x 1791 *
VSF 2876	22.5" x 70.5"	572 x 1791	VSF 6060	54.5" x 54.5"	1384 x 1384 *

* Not available in Glass.

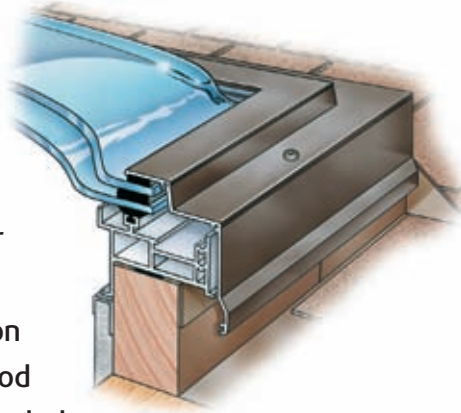


Self Flashing Glass
(VSFG)



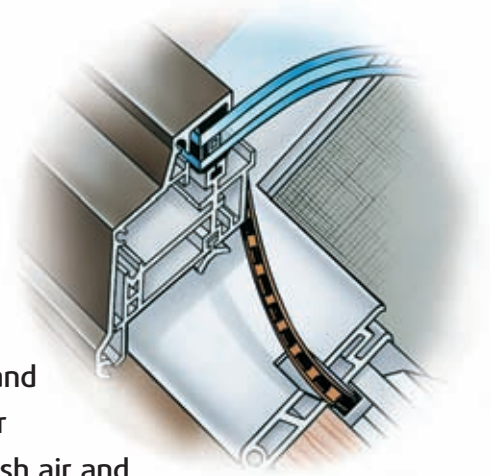
Self Flashing Acrylic Dome
(VSFD)

CURB MOUNT



The preferred skylight mount for any type of roof, primarily for use on tile, shingle or wood shakes. Recommended by roofing professionals as the optimum choice for long lasting, trouble free installation. Flashing kits available. Overall cost savings.

VENTING CURB MOUNT



Ideal for placement allowing abundant natural light and ventilation for maximum fresh air and temperature control. Excellent venting for bathroom, kitchen, loft and attic rooms.

ALL UNITS FEATURE

- Designed to work on any type of roof.
- Ideal for low pitch or flat roof applications.
- Durable full perimeter gasket ensures weathertight fit.
- Glass units for use on minimum 3:12 pitch roofs only.
- Attractive low profile domes.
- Optional prefabricated flashing kit available.
- Large capacity four sided condensation channel with weep holes in all four corners.
- Fastens from inside of curb.
- Available in glass and pyramid or acrylic dome glazing.
- Drywall return for clean finish of interior wall materials.

ALL UNITS FEATURE

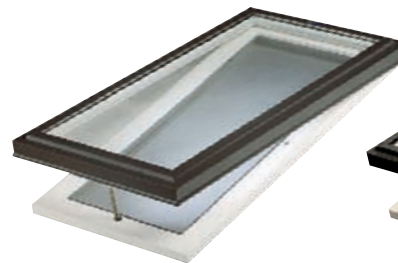
- Designed to work on any type of roof.
- Ideal for low pitch or flat roof applications.
- Fastens from the outside onto the curb, allowing for easy installation.
- Durable full perimeter gasket ensures weathertight fit.
- Available in glass and pyramid or acrylic dome glazing.
- Attractive low profile domes.
- Glass units for use on a minimum of 3:12 pitch roofs only.
- Optional prefabricated flashing kit available.
- Built in insect screen standard.
- Optional rain sensor automatically closes skylight.
- Operate with hand crank, telescopic pole, electric wall switch or remote control.



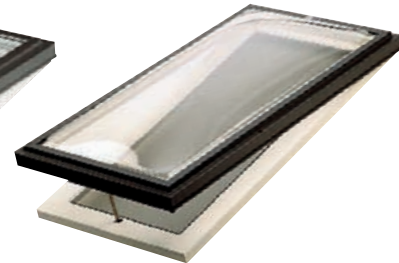
Curb Mount Glass
(VCMG)



Curb Mount Acrylic Dome
(VCMD)



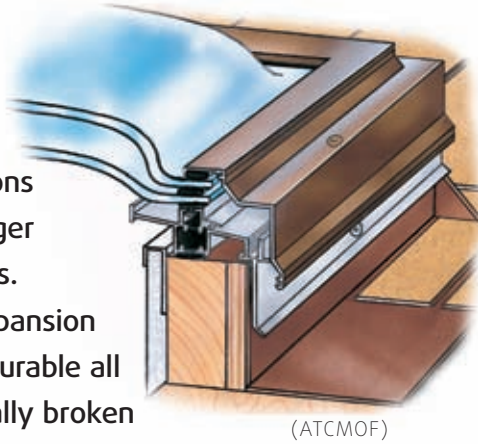
Operable CurbMount Glass
(OVCMG)



Operable CurbMount Acrylic Dome
(OVCMD)



ALUMINUM CURB MOUNT OUTSIDE FASTENING



(ATCMOF)

Ideal for applications in industrial or larger residential settings. Minimal frame expansion and contraction. Durable all aluminum, thermally broken frame utilized on large skylights up to 8' x 8'. Fits on 2" wide curb.

ALL UNITS FEATURE

- Heliarc welded frame and mitred corners.
- Low profile domes.
- Frames fastened with stainless steel screws.
- Frames fastened with stainless steel screws.
- All frames have durable baked enamel paint finish in rideau brown or white. Custom colors are also available.
- Thermally broken aluminum frame construction.
- Single, double, or triple glazed in acrylic, polycarbonate, or glass.
- Large capacity four sided condensation channel with weep holes in all four corners.
- Thermally broken aluminum frame construction.

CIRCULAR ROOF DOMES

This design delivers a dramatic departure from the ordinary, opening your home or lobby/reception area to a light well affording a beautiful overhead pool of sunlight.

MODEL	INSIDE ROUGH OPENING	
	INCHES	MM
C48R	42"	1067
C72R	66.5"	1689



ALL UNITS FEATURE

- Non condensating double wall fiberglass frame.
- Available in single, double or triple glazed in clear, white or bronze acrylic.
- Stainless steel fasteners.
- Built in curb six inches in height.
- Integral condensation gutter.

SIZES AND STYLES

MODEL	CURB ROUGH OPENING		CURB MOUNT (VCM)		OPERABLE CURB MOUNT (OVCM)		PYRAMID	ALUMINUM CURB MOUNT OUTSIDE FASTENING (ATCMOF)	
	INCHES	MM	ACRYLIC	GLASS	ACRYLIC	GLASS		ACRYLIC	GLASS
2020	14.5" x 14.5"	368 x 368	✓	✓	✓	✓	✓	✓	✓
2028	14.5" x 22.5"	368 x 572	✓	✓	✓	✓		✓	✓
2036	14.5" x 30.5"	368 x 775	✓	✓	✓	✓		✓	✓
2052	14.5" x 46.5"	368 x 1181	✓	✓	✓	✓		✓	✓
2076	14.5" x 70.5"	368 x 1791	✓	✓				✓	✓
2828	22.5" x 22.5"	572 x 572	✓	✓	✓	✓	✓	✓	✓
2836	22.5" x 30.5"	572 x 775	✓	✓	✓	✓		✓	✓
2840	22.5" x 34.5"	572 x 876	✓	✓	✓	✓		✓	✓
2852	22.5" x 46.5"	572 x 1181	✓	✓	✓	✓		✓	✓
2868	22.5" x 62.5"	572 x 1588	✓	✓				✓	✓
2876	22.5" x 70.5"	572 x 1791	✓	✓				✓	✓
28100	22.5" x 94.5"	572 x 2400						✓	
3636	30.5" x 30.5"	775 x 775	✓	✓	✓	✓	✓	✓	✓
3652	30.5" x 46.5"	775 x 1181	✓	✓	✓	✓		✓	✓
3668	30.5" x 62.5"	775 x 1588	✓	✓				✓	✓
3676	30.5" x 70.5"	775 x 1791	✓	✓				✓	✓
36100	30.5" x 94.5"	775 x 2400						✓	
4040	34.5" x 34.5"	876 x 876	✓	✓	✓	✓	✓	✓	✓
4052	34.5" x 46.5"	876 x 1181	✓	✓	✓	✓		✓	✓
4064	34.5" x 58.5"	876 x 1486	✓					✓	
4076	34.5" x 70.5"	876 x 1791	✓						
40100	34.5" x 94.5"	876 x 2400	✓					✓	
4242	36.5" x 36.5"	927 x 927	✓	✓	✓	✓	✓	✓	✓
4280	36.5" x 74.5"	927 x 1892	✓					✓	✓
5252	46.5" x 46.5"	1181 x 1181	✓	✓	✓	✓	✓	✓	✓
5264	46.5" x 58.5"	1181 x 1486	✓					✓	
5276	46.5" x 70.5"	1181 x 1791	✓					✓	
52100	46.5" x 94.5"	1181 x 2400						✓	
52120	46.5" x 114.5"	1181 x 2908						✓	
6060	54.5" x 54.5"	1384 x 1384	✓				✓	✓	
60100	54.5" x 94.5"	1384 x 2400						✓	
60120	54.5" x 114.5"	1384 x 2908						✓	
6464	58.5" x 58.5"	1486 x 1486					✓	✓	
6476	58.5" x 70.5"	1486 x 1791						✓	
64100	58.5" x 94.5"	1486 x 2400						✓	
7676	70.5" x 70.5"	1791 x 1791					✓	✓	
76100	70.5" x 94.5"	1791 x 2400						✓	
76120	70.5" x 114.5"	1791 x 2908						✓	
8484	78.5" x 78.5"	1994 x 1994					✓	✓	
84100	78.5" x 94.5"	1994 x 2400						✓	
100100	94.5" x 94.5"	2400 x 2400					✓	✓	

PYRAMID SKYLIGHTS

Aesthetically pleasing, pyramids create interesting effects, beautiful reflections, and patterns of light that add drama to your inner and outer decor.

Provides your home with distinctive architectural flare.



ALL UNITS FEATURE

- Designed to work on any type of roof.
- Optional prefabricated flashing kit available.
- Ideal for low pitch or flat roof applications.
- Large capacity four sided condensation channel with weep holes in all four corners.
- Fastens from the outside of the curb, allowing for easy installation.
- Single, double or triple glazed in clear, white, bronze acrylic or polycarbonate.

WOOD ROOF WINDOWS

This premium skylight product provides a built in Douglas Fir wood curb and is available venting or fixed in a wide range of sizes and glazing options. Custom flashing kits* for each size are required.

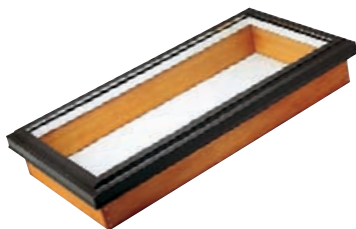


ALL UNITS FEATURE

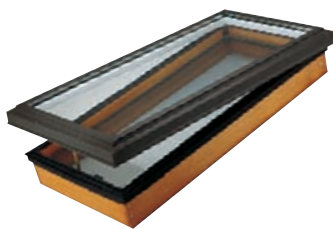
- No parts to assemble or exposed hardware for easy installation.
- All frames have durable baked enamel paint finish in rideau brown or white. Custom colors are also available.
- Built in curb featuring kiln dried wood frame with no finger joints.
- Heavy duty EPDM double air seal gasket.
- Frame fastened together with stainless steel screws.
- Glass insulated units include a 1/2" air space for maximum thermal efficiency.
- The operating roof window features an easy to remove spring loaded weather-stripped screen.

*Warranty not valid unless Columbia flashing kit is used.

MODEL	OUTSIDE FRAME DIMENSION (w x h)		FIXED	VENTING	ROUGH OPENING DIMENSION (w x h)		DAYLIGHT AREA (sq. ft.)
	INCHES	MM			INCHES	MM	
056	14' x 44.75'	356 x 1137	CFS	CVS	14.5' x 45.25'	368 x 1149	3.56
101	21.25' x 27.5'	540 x 699	CFS	CVS	21.75' x 28"	552 x 711	3.37
104	21.25' x 36.5'	540 x 927	CFS	CVS	21.75' x 37"	552 x 940	4.57
106	21.25' x 44.75'	540 x 1137	CFS	CVS	21.75' x 45.25'	552 x 1149	5.66
108	21.25' x 54.5'	540 x 1384	CFS	CVS	21.75' x 55"	552 x 1397	6.96
112	21.25' x 70.5'	540 x 1791	CFS	N/A	21.75' x 71"	552 x 1803	9.16
302	29.25' x 29.25'	743 x 743	CFS	CVS	29.75' x 29.75'	756 x 756	5.16
304	29.25' x 36.5'	743 x 927	CFS	CVS	29.75' x 37"	756 x 940	6.48
306	29.25' x 44.75'	743 x 1137	CFS	CVS	29.75' x 45.25'	756 x 1149	8.03
308	29.25' x 54.5'	743 x 1384	CFS	CVS	29.75' x 55"	756 x 1397	9.93
606	44.75' x 46"	1137 x 1168	CFS	CVS	45.25' x 46.5"	1149 x 1181	12.99



Fixed Roof Window
(CFS)



Operable Roof Window
(CVS)

ACCESSORIES AND FINISHING TOUCHES



RAIN SENSOR

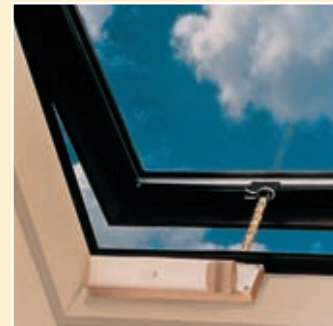
Out shopping? Your Columbia skylight will shut by itself if fair weather turns to rain.

BLINDS & SHADES

Choose an attractive sun-screening accessory from your neighborhood window coverings specialist to give you extra control over light or direct sun.

FLASHING KITS

All the materials and instruction you require for quick, easy, and proper installation are available from Columbia.



ELECTRIC MOTOR OPENER

At the touch of a button or the flick of a wall mounted switch, you're in command with fresh air and temperature control. Also a convenience for skylights set in high ceilings or hard to reach areas. Electrical components are UL and CSA approved.



TELESCOPING POLE

Handsome design, sturdy construction, makes light work of reaching high places to open, close, or adjust venting.

